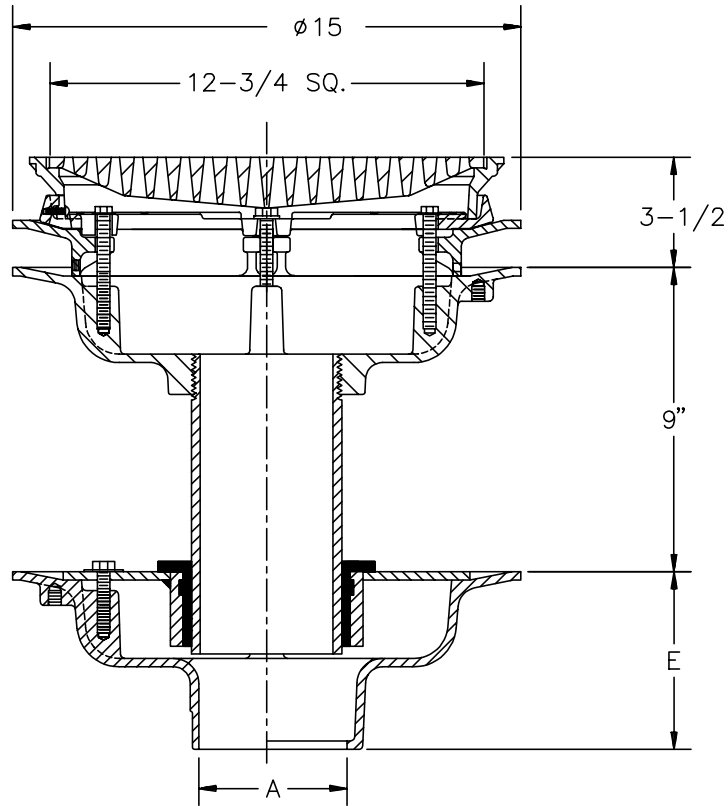




# Z-624-76 ISOLATION DECK DRAIN

TAG \_\_\_\_\_

Dimensional Data (inches and [ mm ]) are Subject to Manufacturing Tolerances and Change Without Notice



A- Pipe Size In.	Approx. Wt. Lbs.	Grate Open Area Sq. In.
2-3-4	85	29
5-6		

**ENGINEERING SPECIFICATION:** ZURN Z-624-76 Dura-Coated cast iron upper and lower bodies, promanade frame and heavy duty, grate with combination membrane flashing clamp/gravel guard, and static extension, (lower body) clamp collar, neoprene flex gasket and isolation nipple.

**OPTIONS** (Check/specify appropriate options)

**OUTLET** (Specify type)

- \_\_\_\_\_ **IC** Inside Caulk
- \_\_\_\_\_ **IG** Inside Caulk w/Sealtrol Gskt.
- \_\_\_\_\_ **IP** Threaded
- \_\_\_\_\_ **NH** No-Hub
- \_\_\_\_\_ **NL** Neo-Loc
- \_\_\_\_\_ **NL** Neo-Loc

**PIPE SIZE** (Specify size)

- \_\_\_\_\_ 2" thru 6"
- \_\_\_\_\_ 2",3",4",6"
- \_\_\_\_\_ 2" thru 6"
- \_\_\_\_\_ 2" thru 6"
- \_\_\_\_\_ 2" thru 6"
- \_\_\_\_\_ 5",6"

**'E' BODY HT. DIMENSION**

- 5-1/4"
- 5-1/4"
- 3-3/4"
- 5-1/4"
- 4-5/8"
- 5-1/2"

**PREFIXES**

- \_\_\_\_\_ **Z-** D.C.C.I. Body and Grate\*
- \_\_\_\_\_ **ZB-** D.C.C.I. Body with Polished Bronze Grate (Add 3/16" to 4-1/4" & 5-1/4" Dim)
- \_\_\_\_\_ **ZN-** D.C.C.I. Body with Polished Nickel Bronze Grate (Add 3/16" to 4-1/4" & 5-1/4" Dim.)

**SUFFIXES**

- \_\_\_\_\_ **-C** Underdeck Clamp (Lower Body)
- \_\_\_\_\_ **-DX** Dex-o-tex Flange (Upper Body)
- \_\_\_\_\_ **-G** Galvanized Cast Iron
- \_\_\_\_\_ **-R** Sump Receiver (Lower Body)
- \_\_\_\_\_ **-VP** Vandal Proof Secured Top

\*REGULARLY FURNISHED UNLESS OTHERWISE SPECIFIED

<b>REV.</b>	<b>DATE: 6/14/93</b>	<b>C.N. NO. 69075</b>
<b>DWG. NO. P-13827 PRODUCT NO. Z-624-76</b>		