



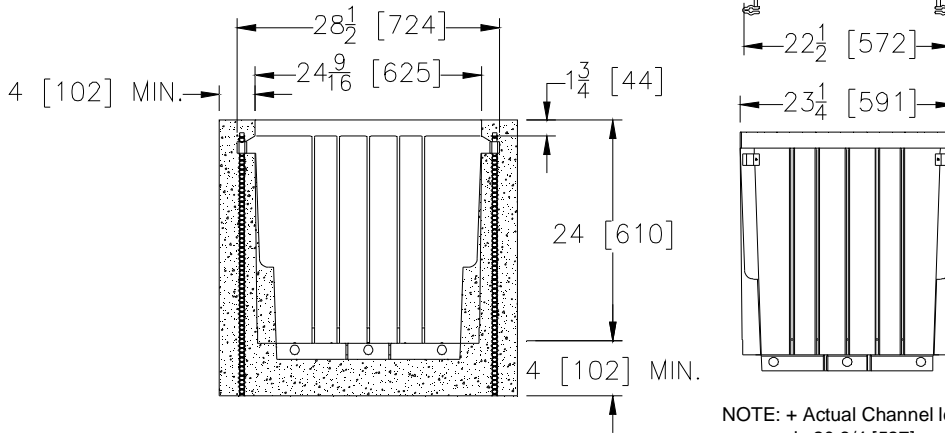
Z887-24-HDG

SPECIFICATION SHEET

23-1/4 [591] WIDE REVEAL x 24-5/8 [625] LONG CATCH BASIN WITH HEAVY-DUTY GALVANIZED FRAME TAG _____

Dimensional Data (inches and [mm]) are Subject to Manufacturing tolerances and Change Without Notice

SPECIFYING ENGINEER IS RESPONSIBLE FOR CONCRETE ENCASEMENT AND REINFORCING BASED UPON APPLICATION AND LOCAL CODES



NOTE: + Actual Channel length is 20 3/4 [527].

ENGINEERING SPECIFICATION Zurn Z887-24-HDG Catch Basin shall be 23-1/4 [591] wide reveal x 24-5/8 [625] long and 24 [610] deep. Catch basin shall be made of 0% water absorbent High Density Polyethylene (HDPE). Shall mechanically lock into the concrete surround. Basin shall weigh less than 20.0 lbs.[9.1 kg]. Catch basin shall have rebar clips standard to secure basin in its final location. Shall be provided with standard GDC grates that lock down to frame. Zurn 22-1/4 [565] wide reveal Ductile Iron Slotted Grate conforming to ASTM specification A536-84, Grade 80-55-06. Ductile Iron grate is rated class C per the DIN EN1433 top load classifications. Supplied in 24 [608] nominal lengths with 1 1/32 [9] wide slots, and 1-1/2 [38] bearing depth. Grate has an open area of 164.00 sq. in per ft. The 1/4 [6] thick Heavy-Duty Galvanized Frame Assembly conforms to either ASTM specification A36 or A536-84, with 4 - 4 [102] long concrete anchors per basin. Frame and Grating to be hot dipped galvanized in accordance with ASTM A-123. All welds must be performed by a certified welder per ASTM standard AWS D1.1. Frames Shall be produced in the U.S.A.

PREFIX OPTIONS (Check/specify appropriate options)

___ Z High Density Polyethylene (HDPE) Catch Basin with Heavy-Duty Galvanized Frame*

SUFFIX OPTIONS (Check/specify appropriate options)

Adapters

- ___ -E3/U3 3 [76] No-Hub End/Bottom Outlet Adapter
- ___ -E4/U4 4 [102] No-Hub End/Bottom Outlet Adapter
- ___ -E6/U6 6 [152] No-Hub End/Bottom Outlet Adapter
- ___ -IA Inlet Adapter (Z886)
- ___ -IA Inlet Adapter (Z882)

Grate Options (Load Classifications are per DIN EN1433)

- ___ -BDC Black Acid Resistant Epoxy Coated Ductile Grate – Class C
- ___ -BDE Black Acid Resistant Ductile Grate – Class E
- ___ -DCC Ductile Iron Solid Cover - Class C
- ___ -DGC Ductile Iron Slotted Grate – Class C
- ___ -DGF Ductile Iron Slotted Grate – Class F
- ___ -GDC Galvanized Ductile Slotted Grate – Class C *
- ___ -GDE Galvanized Ductile Grate – Class E
- ___ -GDF Galvanized Ductile Grate – Class F
- ___ -GG Fiberglass Grate - Class A

MADE in the U.S.A. (Load Classifications are per DIN EN1433)

- ___ -FG Galvanized Steel Slotted Grate - Class A
- ___ -PG Galvanized Perforated Grate - Class A
- ___ -RFG Reinforced Galvanized Steel Slotted Grate - Class B
- ___ -RPG Reinforced Galvanized Perforated Grate - Class B

REV. -	DATE: 3/09/11	C.N. NO. 121015
DWG. NO. 304904	PRODUCT NO. Z887-24-HDG	

*REGULARLY FURNISHED UNLESS OTHERWISE SPECIFIED