



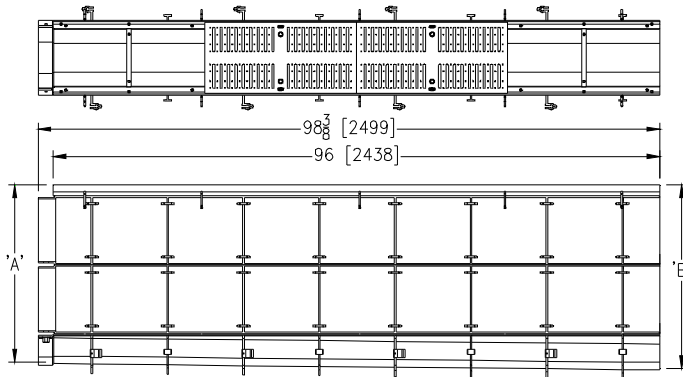
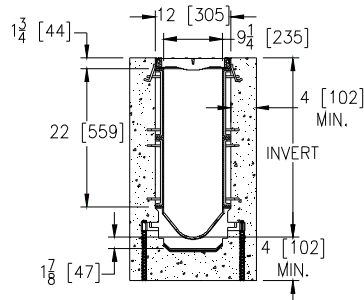
Z882-HDS-SW2

SPECIFICATION SHEET

12 [305] WIDE REVEAL TRENCH DRAIN SYSTEM WITH STAINLESS STEEL FRAME AND DOUBLE SIDEWALL EXTENSIONS TAG _____

Dimensional Data (inches and [mm]) are Subject to Manufacturing Tolerances and Change Without Notice

SPECIFYING ENGINEER IS RESPONSIBLE FOR CONCRETE ENCASEMENT AND REINFORCING BASED UPON APPLICATION AND LOCAL CODES



Note: + Actual Channel length is 98 3/8 [2499] to allow for overlap.

ENGINEERING SPECIFICATION: Zurn Z882-HDS-SW2

Channels shall be 96" [2438mm] long, 12" [305mm] wide reveal and have a 9-1/4" [235mm] throat. Modular channel sections shall be made of 0% water absorbent High Density Polyethylene (HDPE). Shall have a positive mechanical connection between channel sections that will not separate during the installation and shall mechanically lock into the concrete surround every 12" [305mm]. Channels shall weigh less than 5.05 lbs. [2.29kg] per linear foot, have a smooth, 3" [76mm] radiused self cleaning bottom with a Manning's coefficient of 0.009 and 1.04% or neutral 0% built in slope. Channels shall have HDPE SW2 Side Walls provided for an additional 22" [559mm] added to the standard channel invert for additional flow capability shown in chart below. Channels shall have all grates locked down. Shall have rebar clips standard to secure trench in its final location. Shall be provided with the standard RFSC grates that lock down to the frame. Zurn 12" [305mm] wide reveal Stainless Steel Reinforced Slotted Grate conforming to ASTM specification A351, Grade CF8 (type 304), Fabricated grate is rated class C per the DIN EN1433 top load classification. Supplied in 24" [608mm] nominal lengths with 3/8" [10mm] wide slots, 1-1/2" [38mm] bearing depth. Grate has an open area of 20.2 sq. in. per ft [428 sq. cm per meter]. Tie down recesses provided for securing option. The 1/4" [6mm] thick Stainless Steel Frame Assembly conforms to ASTM specification A-240 (type 304). with 10 - 4" [102mm] long concrete anchors per 96" [2438mm]. Grate lockdown bars are integral to the frame. All welds must be performed by a certified welder per ASTM standard AWS D1.6. Frames Shall be produced in the USA.

PREFIX OPTIONS (Check/specify appropriate options)

- Z Eight-foot High Density Polyethylene (HDPE) Channel, Heavy-Duty Stainless Steel Frame with Anchor Studs.*

SUFFIX OPTIONS (Check/specify appropriate options)

Outlet Adapters Add/Each

- E1 Closed End Cap
- E4 4 [102] No-Hub End Outlet
- E6 6 [152] No-Hub End Outlet
- E8 8 [203] No-Hub End Outlet
- U4 4 [102] No-Hub Bottom Outlet
- U6 6 [152] No-Hub Bottom Outlet
- U8 8 [203] No-Hub Bottom Outlet

Grate Options (Load Classifications are per DIN EN1433)

- BDC Black Acid Resistant Epoxy Coated Ductile Grate - Class C
- BDE Black Acid Resistant Epoxy Coated Ductile Grate - Class E
- DC Ductile Iron Solid Cover - Class C
- DGC Ductile Iron Slotted Grate - Class C
- DGE Ductile Iron Slotted Grate - Class E
- DGF Ductile Iron Slotted Grate - Class F
- HPD Heel-Proof Ductile Slotted Grate - Class C
- HPDE Heel-Proof Ductile Slotted Grate - Class E
- RFSC Reinforced Slotted Stainless Steel Grate - Class C*
- RPSC Reinforced Perforated Stainless Steel Grate - Class C
- RPSRC Reinforced Perforated Stainless Steel Reversed Punch Grate - Class C

MADE in the U.S.A.

- ADA-USA Meets Americans with Disabilities Act Requirements - Class C
- DGC-USA Ductile Iron Slotted Grate - Class C
- DGE-USA Ductile Iron Slotted Grate - Class E
- FS Fabricated Stainless Steel Slotted Grate - Class A
- GG Fiberglass Grate - Class A
- HPDE-USA Heel-Proof Ductile Slotted Grate - Class E
- PS Perforated Stainless Steel Grate - Class A
- SBG-L Stainless Steel Bar Grate - Class C

* Regularly furnished unless otherwise specified.

Trench No.	Dimensions in Inch [mm]		Flow		
	'A' Shallow Inv.	'B' Deep Inv.	(cfs)	(gpm)	(lps)
8202 SW2	29.25 [743]	30.25 [768]	13.79	6192	391
8203 SW2	30.25 [768]	31.25 [794]	14.35	6442	406
8203N SW2	31.25 [794]	31.25 [794]	-	-	-
8204 SW2	31.25 [794]	32.25 [819]	14.91	6692	422
8205 SW2	32.25 [819]	33.25 [845]	15.47	6942	438
8206 SW2	33.25 [845]	34.25 [870]	16.02	7192	454
8206N SW2	34.25 [870]	34.25 [870]	-	-	-
8607SW2	34.25 [870]	35.25 [895]	16.58	7442	469
8208 SW2	35.25 [895]	36.25 [921]	17.14	7692	485
8209 SW2	36.25 [921]	37.25 [946]	17.69	7942	501
8209N SW2	37.25 [946]	37.25 [946]	-	-	-
8210 SW2	37.25 [946]	38.25 [972]	18.25	8192	517
8211 SW2	38.25 [972]	39.25 [997]	18.81	8442	533
8212 SW2	39.25 [997]	40.25 [1022]	19.36	8692	548

Miscellaneous Options

- DB Bottom Dome Strainer
- JC Joint Connector
- SF Type 304 Stainless Steel Top Frame
- VP Vandal-Proof Lockdown

Zurn Industries, LLC | Specification Drainage Operation
 1801 Pittsburgh Avenue, Erie, PA U.S.A. 16502 · Ph. 855-663-9876, Fax 814-454-7929
 In Canada | Zurn Industries Limited
 3544 Nashua Drive, Mississauga, Ontario L4V 1L2 · Ph. 905-405-8272, Fax 905-405-1292
www.zurn.com

Rev. D
 Date: 7/16/15
 C.N. No. 132906
 Prod. | Dwg. No. Z882-HDS-SW2