



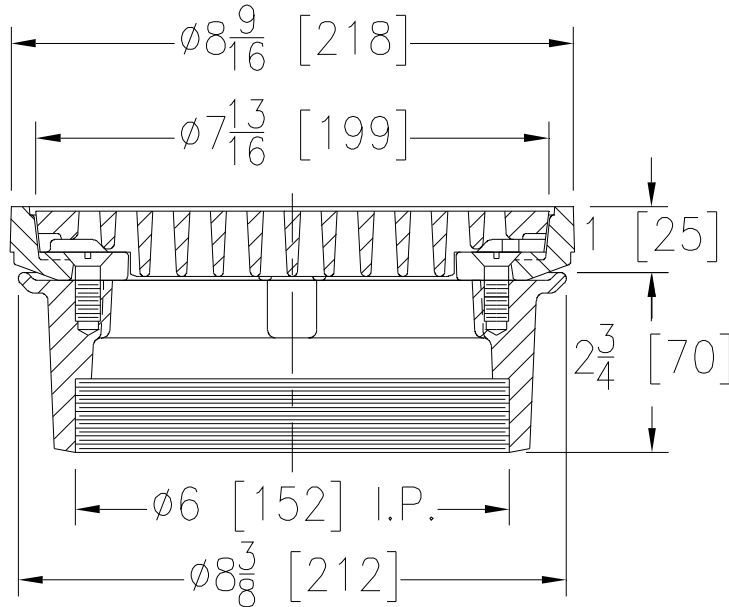
Z415B-106

CAST IRON BODY WITH 6 [152] OUTLET, WATER DAM & MEDIUM-DUTY GRATE

SPECIFICATION SHEET

TAG _____

Dimensional Data (inches and [mm]) are Subject to Manufacturing Tolerances and Change Without Notice



Approx. Wt. Lbs. [kg]	Strainer Open Area Sq. In. [cm ²]
14 [6]	14 [90]

ENGINEERING SPECIFICATION: ZURNZ415B-105

8 9/16 [218] Diameter floor drain, Dura-Coated cast iron body with bottom outlet, combination membrane flashing clamp/gravel guard with 1 [2] high water dam, and medium-duty cast iron slotted loose-set grate.

OPTIONS (Check/specify appropriate options)

PREFIXES

___ Z D.C.C.I. Body and Top*

SUFFIXES

___ -AR Acid Resisting Epoxy Coated Cast Iron

REV.	DATE: 1/19/06	C.N. NO. 94598
DWG. NO. P-15240 PRODUCT NO. Z415B-106		

*REGULARLY FURNISHED UNLESS OTHERWISE SPECIFIED

ZURN INDUSTRIES, INC. ♦ SPECIFICATION DRAINAGE OPERATION ♦ 1801 Pittsburgh Ave. ♦ Erie, PA 16514

Phone: 814/455-0921 ♦ Fax: 814/454-7929 ♦ World Wide Web: www.zurn.com

In Canada: ZURN INDUSTRIES LIMITED ♦ 3544 Nashua Drive ♦ Mississauga, Ontario L4V1L2 ♦ Phone: 905/405-8272 Fax: 905/405-1292