



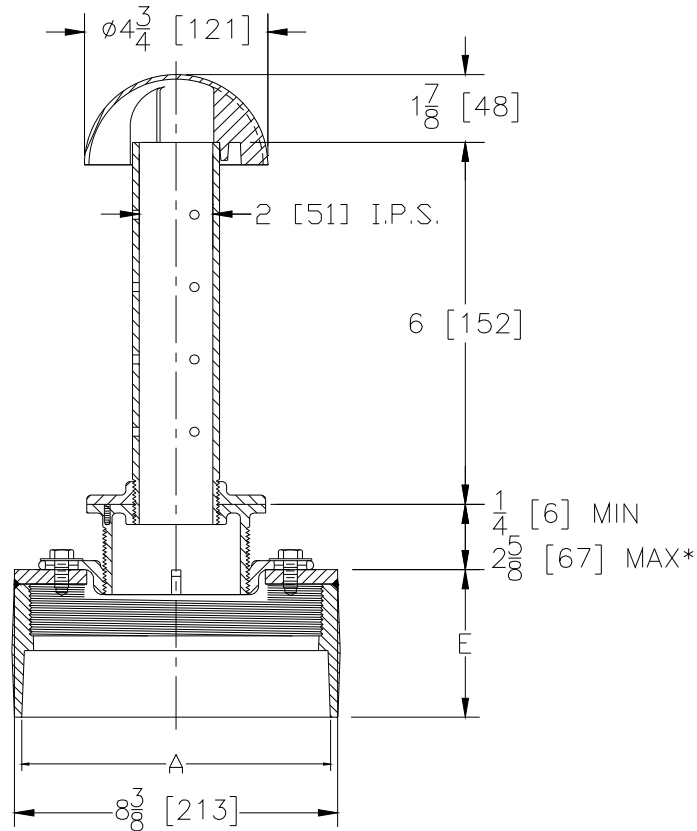
# Z350-79

## PLANTING AREA DRAIN W/ 8 [203] NO-HUB OUTLET

SPECIFICATION SHEET

TAG \_\_\_\_\_

Dimensional Data (inches and [ mm ]) are Subject to Manufacturing Tolerances and Change Without Notice



A-Pipe Size Inches	Approx. Wt. Lbs. [kg]
8 [203]	25 [11]

**ENGINEERING SPECIFICATION:** ZURN ZN350-79 Planting area Drain, Dura-Coated cast iron body with bottom outlet and combination invertible membrane clamp, vertically adjustable nickel bronze head with clamp collar, and 2 [51] diameter perforated standpipe and dome.

**OPTIONS** (Check/specify appropriate options)

**PIPE SIZE**  
8 [203]

(Specify size/type) **OUTLET**  
\_\_\_\_\_ NH No-Hub

**'E' BODY HT. DIM.**  
3 7/8 [98]

**PREFIXES**

- \_\_\_\_\_ ZB D.C.C.I Body w/Polished Standpipe
- \_\_\_\_\_ ZN D.C.C.I Body w/Polished Nickel Bronze Standpipe\*

**SUFFIXES**

- \_\_\_\_\_ -G Galvanized Cast Iron
- \_\_\_\_\_ -PS Solid Standpipe
- \_\_\_\_\_ -SD Longer Standpipe (Specify Height Required)
- \_\_\_\_\_ -SS Stainless Steel Mesh Screen over Dome

\*REGULARLY FURNISHED UNLESS OTHERWISE SPECIFIED

REV. -	DATE: 05/06/10	C.N. NO. 111094
DWG. NO. 300347		PRODUCT NO. Z350-79