



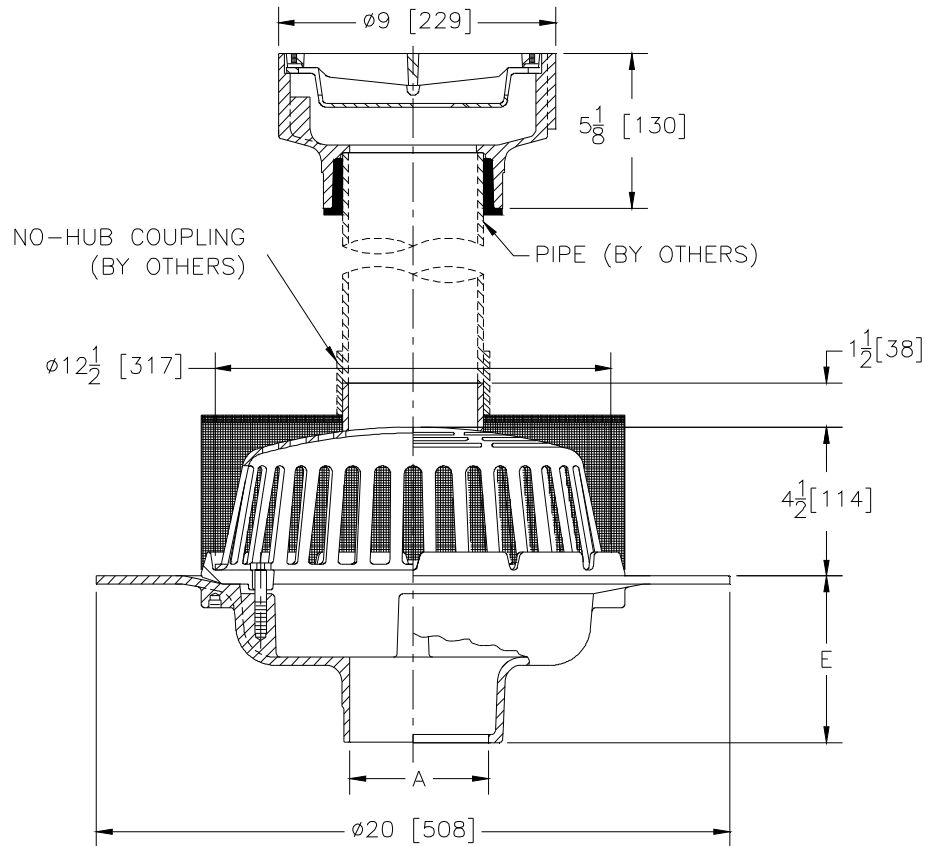
# Z100-244

SPECIFICATION SHEET

## 20[508] WIDE DECK FLANGE ROOF DRAIN W/NO-HUB STANDPIPE AND Z551 UPPER ASSEMBLY

TAG \_\_\_\_\_

Dimensional Data (inches and [mm]) are Subject to Manufacturing Tolerances and Change Without Notice



A Pipe Size In.	Approx. Wt. Lbs. [kg]	Grate Open Area Sq. In. [cm <sup>2</sup> ]
3,4 [76,102]	45 [20]	18 [116]
6,8 [152,203]	46 [21]	

### ENGINEERING SPECIFICATION: ZURN Z100-244

20 [508] Diameter roof drain. Dura-Coated cast iron body with combination membrane flashing clamp/gravel guard and low silhouette cast iron dome with no-hub standpipe and stainless mesh screen. Upper assembly is 9 [229] diameter top drain, dura coated cast iron body with bottom outlet, and medium duty slotted grate, and sediment bucket.

### OPTIONS (Check/specify appropriate options)

#### PIPE SIZE

- 3, 4, 6 [76, 102, 152]
- 3, 4 [76, 102]
- 3, 4, 6, 8 [76, 102, 152, 203]

#### (Specify size/type) OUTLET

- \_\_\_ IC Inside Caulk
- \_\_\_ IP Threaded
- \_\_\_ NH No-Hub

#### E BODY HT. DIM.

- 5-1/4 [133]
- 5-1/4 [133]
- 5-1/4 [133]

#### PREFIXES

- \_\_\_ Z D.C.C.I. Body and Grate\*
- \_\_\_ ZB D.C.C.I. Body with Polished Bronze Top (add 3/16 [5] to 'E' Dim. & 3/4 to 9 [229] Dim.)
- \_\_\_ ZN D.C.C.I. Body with Polished Nickel Bronze Top (add 3/16 [5] to 'E' Dim. & 3/4 to 9 [229] Dim.)

#### SUFFIXES

- \_\_\_ -AC Angular Underdeck Clamp
- \_\_\_ -AR Acid Resistant Epoxy Coated
- \_\_\_ -BS Bronze Mesh Screen Over Dome
- \_\_\_ -C Underdeck Clamp
- \_\_\_ -DE Deck Extension
- \_\_\_ -DP Top-Set® Deck Plate (Replaces both the -C and -R)
- \_\_\_ -DR Top-Set® Drain Riser
- \_\_\_ -EB Top-Set® Adjustable Extension Assembly
- \_\_\_ -G Galvanized Cast Iron
- \_\_\_ -GD Galvanized Cast Iron Dome (ZC Only)
- \_\_\_ -R Roof Sump Receiver
- \_\_\_ -VP Vandal-Proof Secured Top

REV. DATE: 02/10/12 C.N. NO. 122861

DWG. NO. 308941 PRODUCT NO. Z100-244

\*REGULARLY FURNISHED UNLESS OTHERWISE SPECIFIED

ZURN INDUSTRIES, LLC ♦ SPECIFICATION DRAINAGE OPERATION ♦ 1801 Pittsburgh Ave. ♦ Erie, PA 16514

Phone: 814/455-0921 ♦ Fax: 814/454-7929 ♦ World Wide Web: www.zurn.com

In Canada: ZURN INDUSTRIES LIMITED ♦ 3544 Nashua Drive ♦ Mississauga, Ontario L4V1L2 ♦ Phone: 905/405-8272 Fax: 905/405-1292