



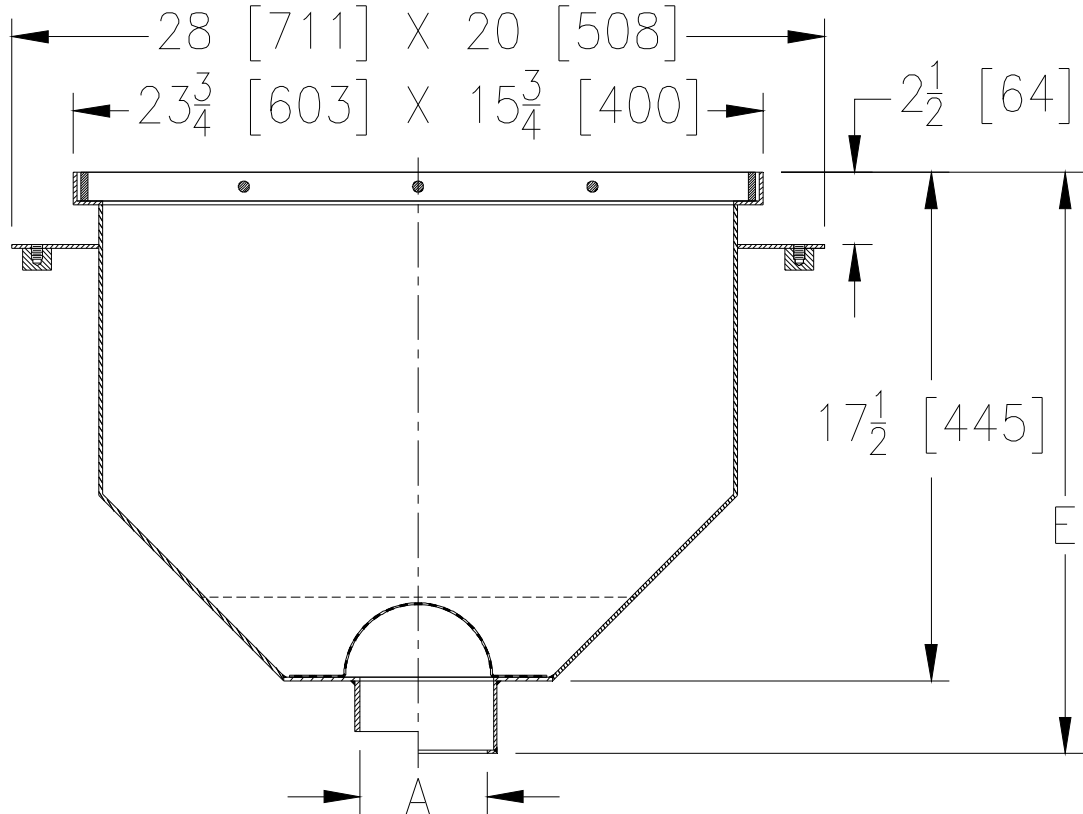
# Z1995-88

SPECIFICATION SHEET

## 24 X 16 [610 X 406] STAINLESS STEEL SANI-FLOR RECEPTOR 17 [432] SUMP DEPTH

TAG \_\_\_\_\_

Dimensional Data (inches and [ mm ]) are Subject to Manufacturing Tolerances and Change Without Notice



A- Pipe Size In.	Approx Wt. Lbs. [kg]	Bar Grate Open Area Sq. In. [cm <sup>2</sup> ]
3-4-6 [76-102-152]	232 [105]	259 -1/2 [1674]

**ENGINEERING SPECIFICATION: ZURNZ1995-88**  
Sani-Flor Receptor 24 x 16 x 17 [610 x 406 x 432] deep, fabricated #10 ga. stainless steel body with integral anchor flange, and light-duty stainless steel bar grate, complete with stainless steel anti-splash interior bottom dome strainer.

**OPTIONS** (Check/specify appropriate options)

**PIPE SIZE**

3 thru 6 [76 thru 152]  
3 thru 6 [76 thru 152]

(Specify size/type) **OUTLET**

\_\_\_ IC Inside Caulk  
\_\_\_ NH No-Hub

**'E' BODY HT. DIM.**

**Z**

20 [508]  
19-1/4 [489]

**PREFIXES**

\_\_\_ ZS Fabricated Stainless Steel Body and Grate\*

**SUFFIXES**

- \_\_\_ -KC Anchor Flange with Seepage Holes and Clamp Collar
- \_\_\_ -LD (Less) Bottom Dome Strainer
- \_\_\_ -P 1/2 [13] Trap Primer Connection
- \_\_\_ -1 (Less) Grate
- \_\_\_ -25 White A.R.C. Bucket
- \_\_\_ -31 Stainless Steel Mesh Liner for Bucket
- \_\_\_ -33 White A.R.C. Anti-Splash Bottom Dome Strainer

REV.	DATE: 07/20/12	C.N. NO. 124599
DWG. NO. 310150	PRODUCT NO. Z1995-88	

\*REGULARLY FURNISHED UNLESS OTHERWISE SPECIFIED

ZURN INDUSTRIES, LLC. ♦ SPECIFICATION DRAINAGE OPERATION ♦ 1801 Pittsburgh Ave. ♦ Erie, PA 16514  
Phone: 814/455-0921 ♦ Fax: 814/454-7929 ♦ World Wide Web: www.zurn.com

In Canada: ZURN INDUSTRIES LIMITED ♦ 3544 Nashua Drive ♦ Mississauga, Ontario L4V1L2 ♦ Phone: 905/405-8272 Fax: 905/405-1292