



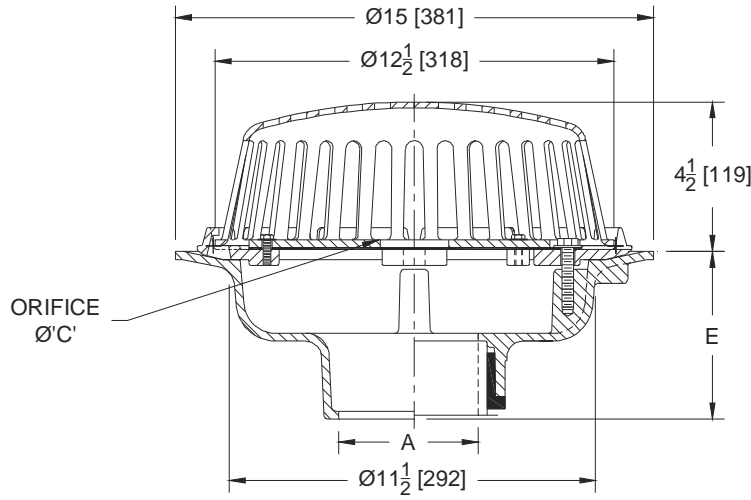
Z100-368

15 [381] DIAMETER MAIN ROOF DRAIN WITH GASKETED STAINLESS STEEL FLOW RESTRICTING PLATE FEATURING 1.25 [32] DIAMETER ORIFICE

SPECIFICATION SHEET

TAG _____

Dimensional Data (inches and [mm]) are Subject to Manufacturing Tolerances and Change Without Notice



Flow Rate GPM [LPM]	Head Depth in [mm]	Orifice Dia. 'C' in [mm]
10.56 [40]	4 [102]	1.25 [32]

A - Pipe Size In. [mm]	Approx. Wt. Lbs. [kg]	Dome Open Area Sq. In. [cm ²]
2,3,4 [51,76,102]	26 [12]	103 [665]
6 [152]	27 [12]	
8 [203]	28 [13]	

ENGINEERING SPECIFICATION: ZURN Z100-368

15" [381mm] Diameter roof drain. Dura-Coated cast iron body with combination membrane flashing clamp/gravel guard, gasketed Stainless Steel flow restricting plate and low silhouette Poly-Dome.

OPTIONS (Check/specify appropriate options)

PIPE SIZE

2,3,4,6,8 [51,76,102,152,203]
 2,3,4,6,8 [51,76,102,152,203]
 2,3,4,6,8 [51,76,102,152,203]
 2,3,4 [51,76,102]

(Specify size/type) OUTLET

_____ IC Inside Caulk
 _____ IP Threaded
 _____ NH No-Hub
 _____ NL Neo-Loc

E BODY HT. DIM.

5-1/4 [133]
 3-3/4 [95]
 5-1/4 [133]
 4-5/8 [117]

PREFIXES

_____ Z D.C.C.I. Body with Poly-Dome*
 _____ ZA D.C.C.I. Body with 6-3/4 [171] High Aluminum Dome
 _____ ZC D.C.C.I. Body with Cast Iron Dome
 _____ ZRB D.C.C.I. Body with Plain Bronze Dome

SUFFIXES

_____ -AC Angular Underdeck Clamp	_____ -G Galvanized Cast Iron
_____ -AR Acid Resistant Epoxy Coated	_____ -GD Galvanized Cast Iron Dome (ZC Only)
_____ -BS Bronze Mesh Screen Over Dome	_____ -HD 6-3/4 [171] High Aluminum Dome Strainer (148 Sq. In. [955 cm ²] Open Area)
_____ -C Underdeck Clamp	_____ -R Roof Sump Receiver
_____ -DP Top-Set® Deck Plate (Replaces both the -C and -R)	_____ -SC Secondary Clamping Collar
_____ -DR Top-Set® Drain Riser	_____ -SS Stainless Steel Mesh Screen Over Dome
_____ -DX Dex-o-tex Flange	_____ -TC Neo-Loc Test Cap Gasket (2,3,4 [51,76,102] NL Bottom Outlet Only)
_____ -E Static Extension 1 [25] thru 4 [102] (Specify Ht.)	_____ -VP Vandal-Proof Secured Top
_____ -EA Adjustable Extension Assembly 1-3/4 [44] thru 3-1/2 [89]	_____ -XJ Vertical Expansion Joint (See Z190)
_____ -EB Top-Set® Adjustable Extension Assembly	_____ -84 Stainless Steel Perforated Gravel Guard
_____ -ES Static Extension with Secondary Clamp at Body (for clamping waterproofing membrane at roof drain body)	_____ -90 90° Threaded Side Outlet Body (2,3,4,6 [51,76,102,152])

* Regularly furnished unless otherwise specified.