



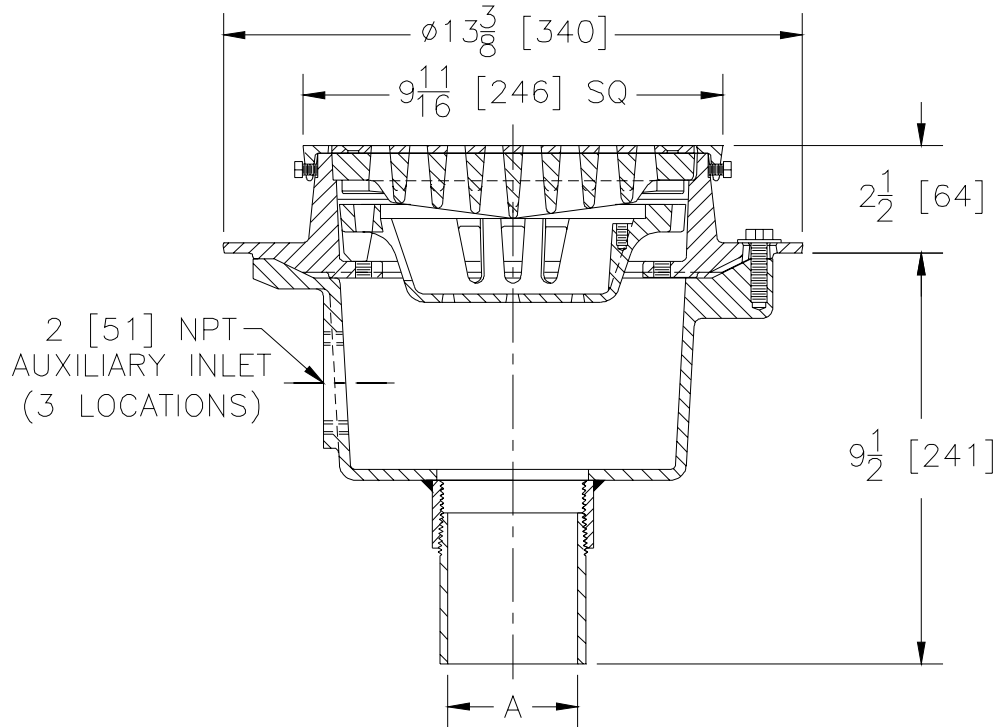
Z513-78

SPECIFICATION SHEET

9 [229] SQUARE HINGED HEAVY-DUTY DRAIN W/ AUXILIARY INLETS & NO-HUB ADAPTER

TAG _____

Dimensional Data (inches and [mm]) are Subject to Manufacturing Tolerances and Change Without Notice



A- Pipe Size In.	Approx. Wt. Lbs. [kg]	Grate Open Area Sq. In. [cm ²]
3 [76]	65 [30]	17 [110]

ENGINEERING SPECIFICATION: ZURN Z513-78

9 [229] Square top drain, Dura-Coated cast iron deep sump body with bottom outlet, seepage pan and combination flashing clamp and frame for heavy-duty slotted grate with nickel bronze veneer. Complete with suspended sediment bucket, auxiliary inlets, and no-hub adapter.

OPTIONS (Check/specify appropriate options)

PIPE SIZE

(Specify size/type) **OUTLET**

3 [76]

_____ NH No-Hub (IP w/ Z1040)

PREFIXES

_____ ZN D.C.C.I. Body with Polished Nickel Bronze Top*

SUFFIXES

- _____ -AR Acid Resisting Epoxy Coated Cast Iron
- _____ -DG Duresist Grate
- _____ -F Extension Frame (Specify Total Height Req'd.)
- _____ -G Galvanized Cast Iron
- _____ -HL Hinged Locking Grate
- _____ -LY (Less) Sediment Bucket
- _____ -P Trap Primer Connection
- _____ -S Secondary Strainer
- _____ -SS Stainless Mesh Liner for Bucket
- _____ -VP Vandal-Proof Secured Top

REV.	DATE: 8/4/05	C.N. NO. 93667
DWG. NO. P-15182	PRODUCT NO. Z513-78	

*REGULARLY FURNISHED UNLESS OTHERWISE SPECIFIED