



Z1395-VB

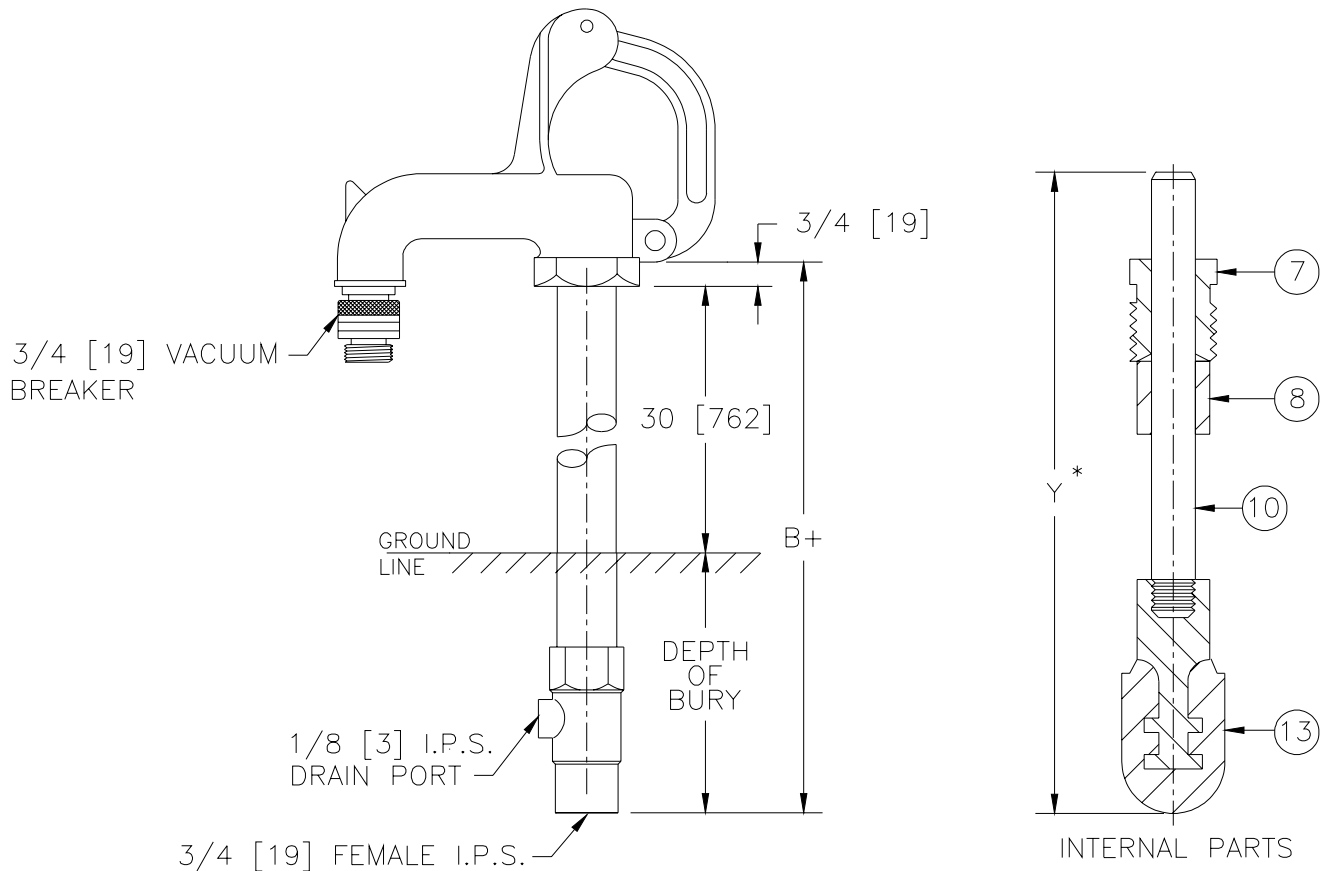
YARD HYDRANT WITH ADAPTER VACUUM BREAKER

Exposed Head, Non-Freeze

SPECIFICATION SHEET

TAG _____

Dimensional Data (inches and [mm]) are Subject to Manufacturing Tolerances and Change Without Notice



Depth of Bury Feet	B+ Dim. Feet	Approx. Wt. Lbs. [kg]
2 [610]	4 1/2 [1372]	15 [7]
3 [914]	5 1/2 [1676]	19 [9]
4 [1219]	6 1/2 [1981]	23 [10]
5 [1524]	7 1/2 [2286]	27 [12]
6 [1829]	8 1/2 [2591]	31 [14]
8 [2438]	10 1/2 [3200]	39 [18]

ENGINEERING SPECIFICATION: ZURN Z1395-VB Exposed, non-freeze yard hydrant, with Dura-Coated cast iron head, 3/4[19] vacuum breaker (type of backflow preventer used in hydrants to prevent contamination of potable water supply through back pressure or back siphonage) and lift handle with lock option. Bronze interior parts and galvanized steel casing with bronze valve housing and 1/8 [3] IP drain port in housing.

Note: 'B' dim. based on outlet connection 30 [762] above ground.
 ** Non-Freeze feature will not function when (-VB suffix) vacuum breaker is specified.

OPTIONS (Check/specify appropriate options)

SUFFIXES

- ____ -AC Aluminum Casing Guard
- ____ -RK Hydrant Parts Repair Kit

PARTS LIST

<u>Item</u>	<u>Name</u>	<u>Quan.</u>
7	Operating Coupling	1
8	Packing	1
10	Operating Rod	1
13	Plunger	1

REV. B DATE: 8/29/03 C.N. NO. 91239

DWG. NO. 59732 PRODUCT NO. Z1395-VB

*WHEN ORDERING REPLACEMENT PARTS SPECIFY Y DIM.