



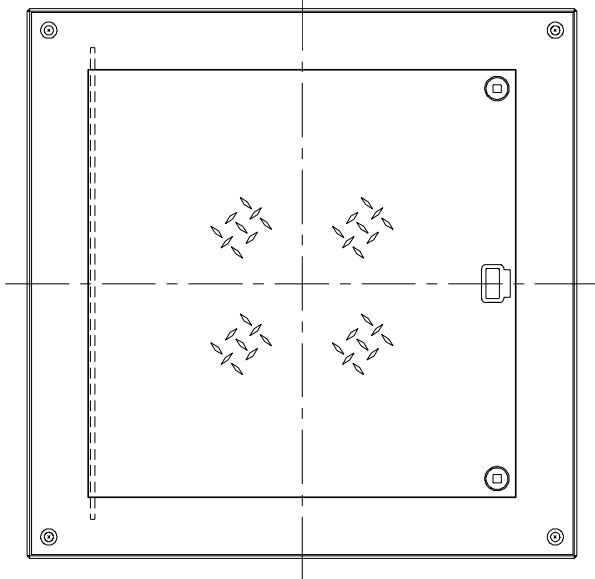
# Z1370-81

## GROUND HYDRANT W/ HINGED COVER & KEY LOCKS (Encased, Hose Storage, Non-Freeze)

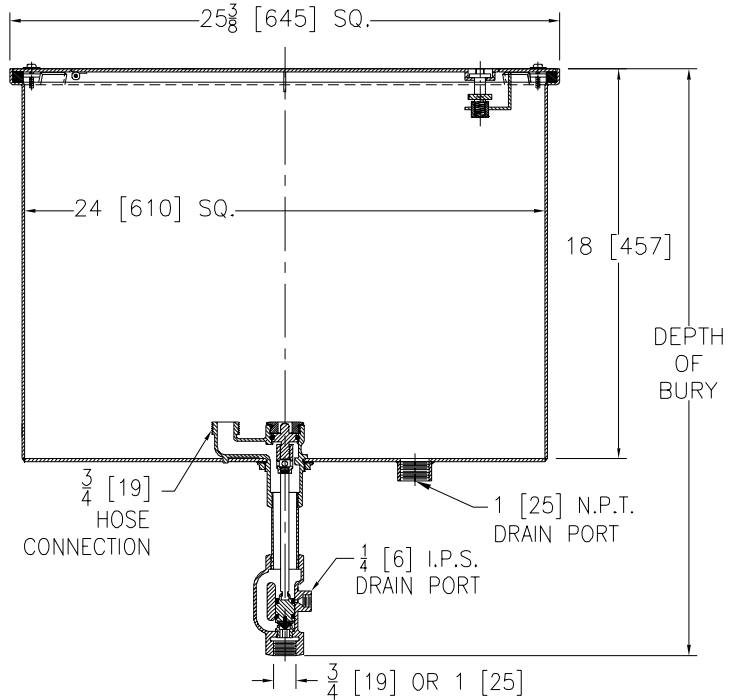
SPECIFICATION SHEET

TAG \_\_\_\_\_

Dimensional Data (inches and [ mm ]) are Subject to Manufacturing Tolerances and Change Without Notice



TOP VIEW



Depth of Bury	Approx. Wt. Lbs. [kg]
33 7/8 [860]	81 [37]
45 7/8 [1165]	85 [39]
57 7/8 [1470]	89 [40]
69 7/8 [1775]	93 [42]
81 7/8 [2080]	97 [44]
93 7/8 [2384]	101 [46]
105 7/8 [2689]	105 [48]
117 7/8 [2994]	109 [49]
129 7/8 [3299]	113 [51]

### ENGINEERING SPECIFICATION: ZURN Z1370-81

Encased, non-freeze ground hydrant, for flush with grade or finished floor installation. Complete with galvanized steel casing, all bronze interior parts, bronze seat and replaceable seat washer, and non-turning operating rod with free-floating compression closure valve. Acid resistant coated fabricated steel box provides hose storage and is complete with gasketed scoriated stainless steel hinged cover with recessed flush lift handle and (2) operating key locks. Hydrant is equipped with a tapped 1 [25] drain port in closure box and 1/4 [6] drain port in value housing. (Hose should always be disconnected for storage.)

Note:

- IMPORTANT** Hydrant must be opened one turn to seal drain port during use.

**OPTIONS** (Check/specify appropriate options)

### SUFFIXES

- \_\_\_\_ -BC Bronze Casing
- \_\_\_\_ -RK Hydrant Parts Repair Kit

### PARTS LIST

Item	Name	Quan.
5	Operating Screw	1
6	O-Ring	1
7	Operating Coupling	1
8	Operating Rod	1
9	Washer Guide	1
10	Washer (neoprene)	1
11	Screw	1
17	O-Ring	2
18	Removable Seat	1

REV. B      DATE: 05/05/08      C.N. NO. 98453

DWG. NO. P-15308      PRODUCT NO. Z1370-81

\*WHEN ORDERING REPLACEMENT PARTS SPECIFY Y DIM.

ZURN INDUSTRIES, LLC. ♦ SPECIFICATION DRAINAGE OPERATION ♦ 1801 Pittsburgh Ave. ♦ Erie, PA 16514

Phone: 814/455-0921 ♦ Fax: 814/454-7929 ♦ World Wide Web: www.zurn.com

In Canada: ZURN INDUSTRIES LIMITED ♦ 3544 Nashua Drive ♦ Mississauga, Ontario L4V1L2 ♦ Phone: 905/405-8272 Fax: 905/405-1292