

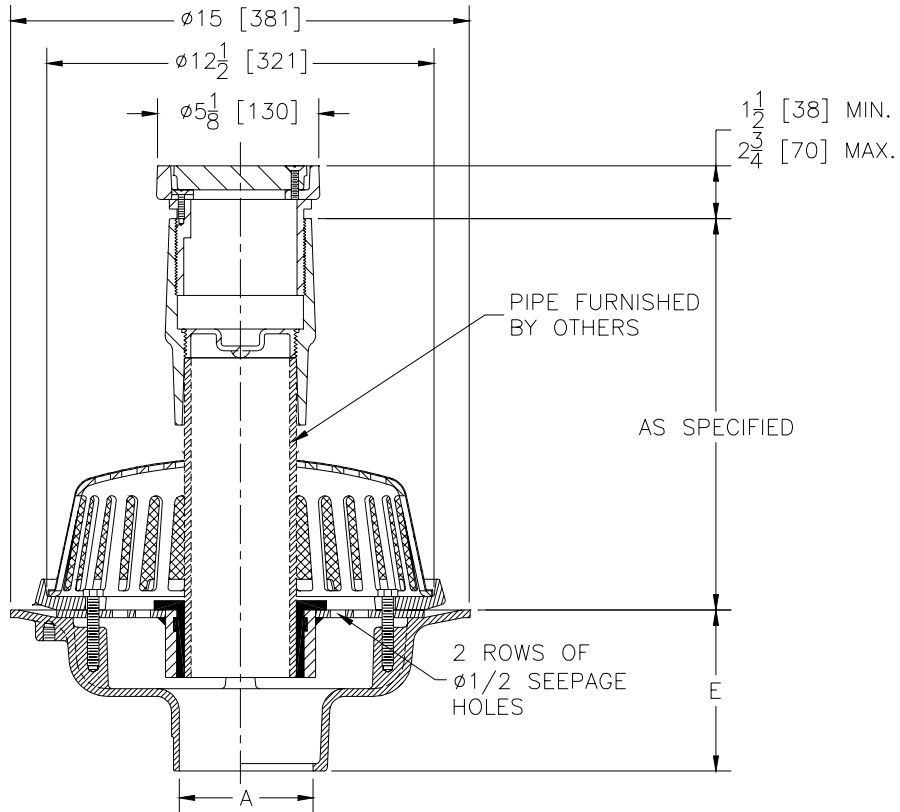


Z-626-75

ISOLATION DECK ADJUSTABLE CLEANOUT

TAG _____

Dimensional Data (inches and [mm]) are Subject to Manufacturing Tolerances and Change Without Notice



A- Pipe Size In.	Approx. Wt. Lbs. [kg]
2-3-4 [50-75-100]	44 [20]
5-6 [125-150]	

ENGINEERING SPECIFICATION: ZURN Z-626-75 Isolation deck adjustable cleanout, Dura-Coated cast iron upper and lower bodies, clamp collar, neoprene flex gasket, ABS cleanout plug, isolation ferrule with 5 [127] diameter round dura-coated cast iron adjustable cleanout top and aluminum dome with stainless steel screen.

OPTIONS (Check/specify appropriate options)

PIPE SIZE	(Specify size/type)	OUTLET	'E' BODY HT. DIM.
2 thru 6 [50 thru 150]	_____	IC Inside Caulk	5 1/4 [133]
2 thru 4, 6 [50 thru 100, 150]	_____	IG Inside Caulk w/Sealtrol Gskt.	5 1/4 [133]
2 thru 6 [50 thru 150]	_____	IP Threaded	3 3/4 [95]
2 thru 6 [50 thru 150]	_____	NH No-Hub	5 1/4 [133]
2 thru 4 [50 thru 100]	_____	NL Neo-Loc	4 5/8 [117]

PREFIXES

- _____ Z- D.C.C.I. Body and Grate*
- _____ ZB- D.C.C.I. Body w/Polished Bronze Top
- _____ ZN- D.C.C.I. Body w/Polished Nickel Bronze Top

SUFFIXES

- _____ -C Underdeck Clamp
- _____ -G Galvanized Cast Iron
- _____ -R Sump Receiver
- _____ -VP Vandal Proof Secured Top

REV.	DATE: 7/22/02	C.N. NO. 89693
DWG. NO. P-14914		PRODUCT NO. Z-626-75

*REGULARLY FURNISHED UNLESS OTHERWISE SPECIFIED