

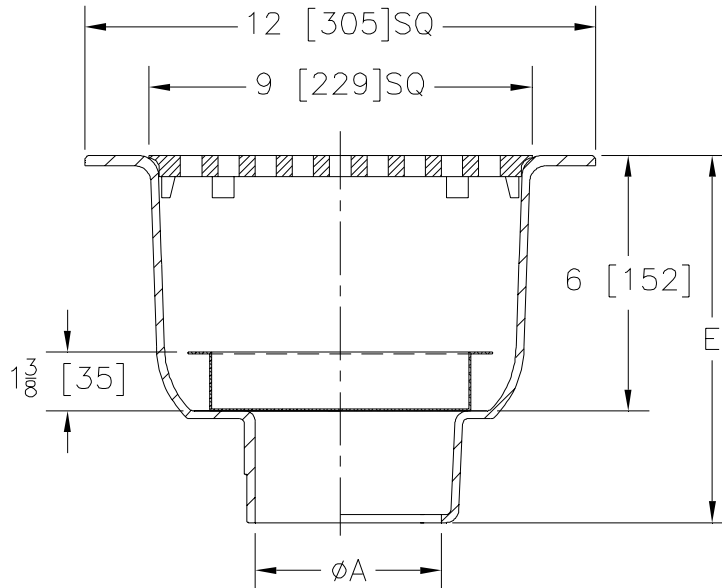


# Z1900-82

## 12 x 12 [305 x 305] A.R.E. SANI-FLOR RECEPTOR 6 [152] SUMP DEPTH W/ MESH BUCKET

TAG \_\_\_\_\_

Dimensional Data (inches and [ mm ]) are Subject to Manufacturing Tolerances and Change Without Notice



A- Pipe Size In.	Approx Wt. Lbs. [kg]	Grate Open Area Sq. In. [cm <sup>2</sup> ]
2-3-4 [51-76-102]	32 [15]	31 [200]

**ENGINEERING SPECIFICATION:** ZURN Z1900-82 Sani-Flor Receptor 12 x 12 x 6 [305 x 305 x 152] deep cast iron body and square slotted light duty grate, with white acid resisting porcelain enamel interior and top, complete with stainless steel mesh bucket.

**OPTIONS** (Check/specify appropriate options)

**PIPE SIZE**

- 2-3-4 [51-76-102]
- 2-3-4 [51-76-102]
- 2-3-4 [51-76-102]

(Specify size/type) **OUTLET**

- \_\_\_\_\_ IC Inside Caulk
- \_\_\_\_\_ NH No-Hub
- \_\_\_\_\_ NL Neo-Loc

**'E' BODY HT. DIMENSION**

Z	ZN
8 5/8 [219]	9 1/8 [232]
8 5/8 [219]	9 1/8 [232]
8 [203]	8 1/2 [216]

**PREFIXES**

- \_\_\_\_\_ Z Cast Iron Body with White A.R.E. Interior\*
- \_\_\_\_\_ ZN Cast Iron Body with White A.R.E. Interior, 12 1/2 [318] Square N.B. Frame and Full Grate with 1/2 [13] Square Openings (Add 1/2 [13] to 12 [305] and 'E' Dim.)

**SUFFIXES**

- \_\_\_\_\_ -DX Dex-o-Tex Flange
- \_\_\_\_\_ -HD Nickel Bronze Frame w/X-Heavy Duty Stainless Steel Grate
- \_\_\_\_\_ -HP Heel-Proof Grate
- \_\_\_\_\_ -K Anchor Flange
- \_\_\_\_\_ -KC Anchor Flange with Seepage Holes and Clamp Collar
- \_\_\_\_\_ -P 1/2 [13] Trap Primer Connection (See Z1023)
- \_\_\_\_\_ -TC Neo-Loc Test Cap Gasket (2 - 4 [50 - 100] NL Bottom Outlet Only)
- \_\_\_\_\_ -1 (Less) Grate
- \_\_\_\_\_ -2 1/2 Grate
- \_\_\_\_\_ -3 3/4 Grate
- \_\_\_\_\_ -4 Full Grate with Square Center Opening
- \_\_\_\_\_ -5 Grate w/ 4 [102] Dia. x 3 3/4 [95] High Funnel
- \_\_\_\_\_ -6 Grate w/ 6 [152] Dia. x 6 [152] High Funnel
- \_\_\_\_\_ -7 Grate w/ 6 3/4 x 3 x 1 [171 x 76 x 25] High Oval Funnel
- \_\_\_\_\_ -8 Grate w/ 8 7/8 x 3 5/8 x 3 3/4 [225 x 92 x 95] High Oval Funnel
- \_\_\_\_\_ -9 Angle Frame and Grate
- \_\_\_\_\_ -11 Vandal-Proof Secured Grate
- \_\_\_\_\_ -12 Depressed Aluminum Grate
- \_\_\_\_\_ -15 Solid Loose Set Cover
- \_\_\_\_\_ -16 1/2 Solid Loose Set Cover
- \_\_\_\_\_ -17 3/4 Solid Loose Set Cover
- \_\_\_\_\_ -18 Solid Loose Set Cover with Square Center Opening
- \_\_\_\_\_ -19 Full Hinged Grate

\*REGULARLY FURNISHED UNLESS OTHERWISE SPECIFIED

<b>REV.</b>	<b>DATE: 02/06/06</b>	<b>C.N. NO. 94642</b>
<b>DWG. NO. P-15248</b>	<b>PRODUCT NO. Z1900-82</b>	