



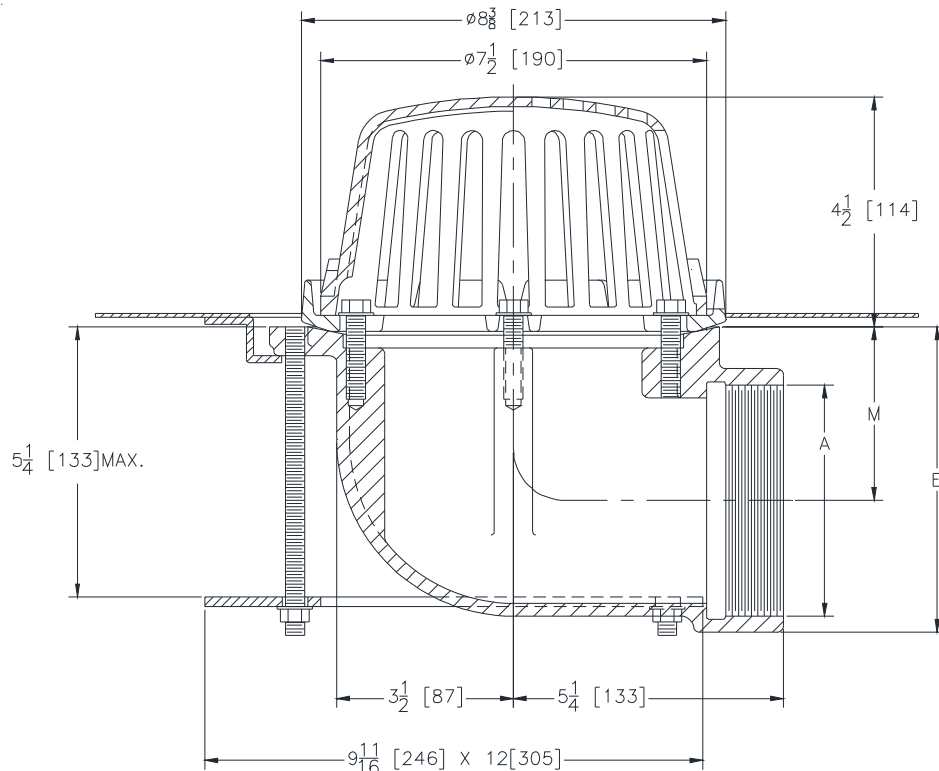
# Z125-C-R-90

## 8-3/8 [213] LATERAL ROOF DRAIN WITH UNDERDECK CLAMP AND ROOF SUMP RECEIVER

SPECIFICATION SHEET

TAG \_\_\_\_\_

Dimensional Data (inches and [ mm ]) are Subject to Manufacturing Tolerances and Change Without Notice



Dimensions Inches[mm]		Approx. Wt. Lbs. [kg]	Dome Open Area Sq. In [sq. cm]
A Pipe Size	M		
2 [51]	4-7/16 [114]	35 [16]	42 [271]
3 [76]	3-7/8 [102]		
4 [102]	3-3/8 [86]		

**ENGINEERING SPECIFICATION: ZURN Z125-C-R-90**  
 8-3/8" [213mm] Diameter lateral roof drain, Dura-Coated cast iron body with combination membrane flashing clamp/gravel guard, low silhouette Poly-Dome, underdeck clamp, and roof sump receiver.

**OPTIONS** (Check/specify appropriate options)

**PIPE SIZE**

2,3,4 [51,76,102]

(Specify size/type) **OUTLET**

\_\_\_\_\_ IP Threaded

**E BODY HT. DIM.**

5-15/16 [151]

**PREFIXES**

- \_\_\_\_\_ Z D.C.C.I. Body with Poly-Dome (4-1/4 [108] Dome Height)\*
- \_\_\_\_\_ ZA D.C.C.I. Body with Aluminum Dome (4-1/4 [108] Dome Height)
- \_\_\_\_\_ ZC D.C.C.I. Body with Low Silhouette Cast Iron Dome (4-1/4 [108] Dome Height)

**SUFFIXES**

- \_\_\_\_\_ -AR Acid Resisting Epoxy Coated Cast Iron
- \_\_\_\_\_ -E 2 [51] High Static Extension (Specify Height)
- \_\_\_\_\_ -FG Flush Grate
- \_\_\_\_\_ -G Galvanized Cast Iron
- \_\_\_\_\_ -SC Secondary Clamp Collar
- \_\_\_\_\_ -SS Stainless Mesh Screen Over Dome
- \_\_\_\_\_ -VP Vandal Proof Secured Dome
- \_\_\_\_\_ -84 Stainless Steel Perforated Gravel Guard
- \_\_\_\_\_ -85 Stainless Steel Perforated Extension
- \_\_\_\_\_ -89 2[51] High External Water Dam

\* Regularly furnished unless otherwise specified.