



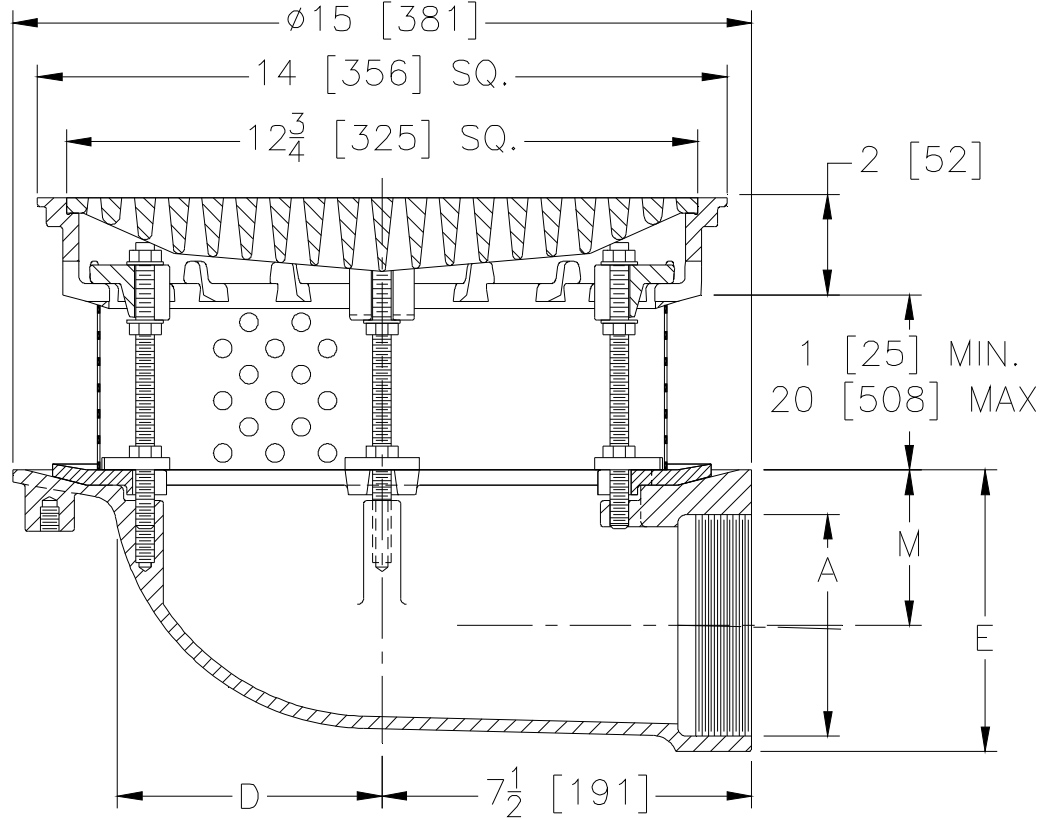
Z150-85-90

14 [356] SQUARE TOP LATERAL PROM-DECK DRAIN
W/ STAINLESS STEEL PERFORATED EXTENSION, HEEL
PROOF GRATE AND ROTATABLE FRAME

SPECIFICATION SHEET

TAG _____

Dimensional Data (inches and [mm]) are Subject to Manufacturing Tolerances and Change Without Notice



Dimensions in inches [mm]			Approx Wt. lbs [kg]	Grate Open Area in ² [cm ²]
A Pipe Size	D	M		
2 [51]	5-1/2 [140]	4-1/4 [108]	56 [26]	44 [284]
3 [76]		3-3/4 [95]		
4 [102]		3-1/4 [83]		
6 [152]	5-7/8 [149]	4-1/4 [108]	59 [28]	

ENGINEERING SPECIFICATION: ZURN Z150-85-90
14" [356mm] Square Top Lateral Prom-Deck drain,
Dura-Coated cast iron body with side outlet, rotatable
square promenade frame with seepage openings,
frame clamps, perforated stainless steel extension
with secondary clamp collar, and heel proof grate.

OPTIONS (Check/specify appropriate options)

PIPE SIZE

2,3,4 [51,76,102]
6 [152]

(Specify size) **OUTLET**

___ IP Threaded
___ IP Threaded

E BODY HT. DIM.

5-3/4 [146]
7-7/8 [200]

PREFIXES

- ___ Z D.C.C.I. Body with Top*
- ___ ZB D.C.C.I. Body with Polished Bronze Top (Add 3/16 [5] to 2 [51] Dim & 3/8 [10] to 14 [356] Dim.)
- ___ ZN D.C.C.I. Body with Polished Nickel Bronze Top (Add 3/16 [5] to 2 [51] Dim & 3/8 [10] to 14 [356] Dim.)

SUFFIXES

- ___ -AR Acid Resistant Epoxy Coated
- ___ -C Underdeck Clamp
- ___ -DG Duresist Grate
- ___ -DP Top-Set[®] Roof Deck Plate
(Replaces both the -C and -R)
- ___ -DT Decorative Polished Top (ZB and ZN Only)
- ___ -E Static Extension 1 [25] thru 4 [102] (Specify Ht.)
- ___ -EA Adjustable Extension Assembly
2-1/8 [54] thru 3-1/2 [89]
- ___ -G Galvanized Cast Iron
- ___ -R Roof Sump Receiver
- ___ -TS Top Secured with Slotted Screws
- ___ -VP Vandal-Proof Secured Top
- ___ -Y Sediment Bucket

* Regularly furnished unless otherwise specified.