



Z1360-VB

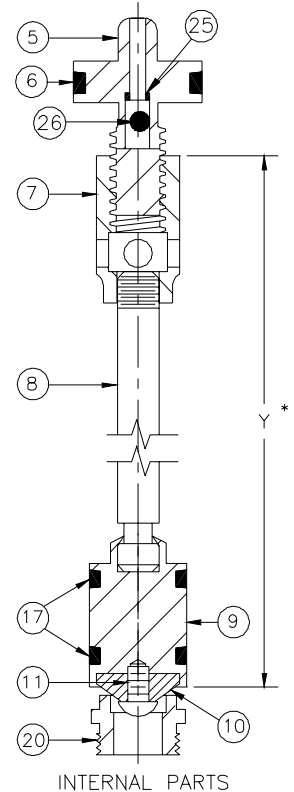
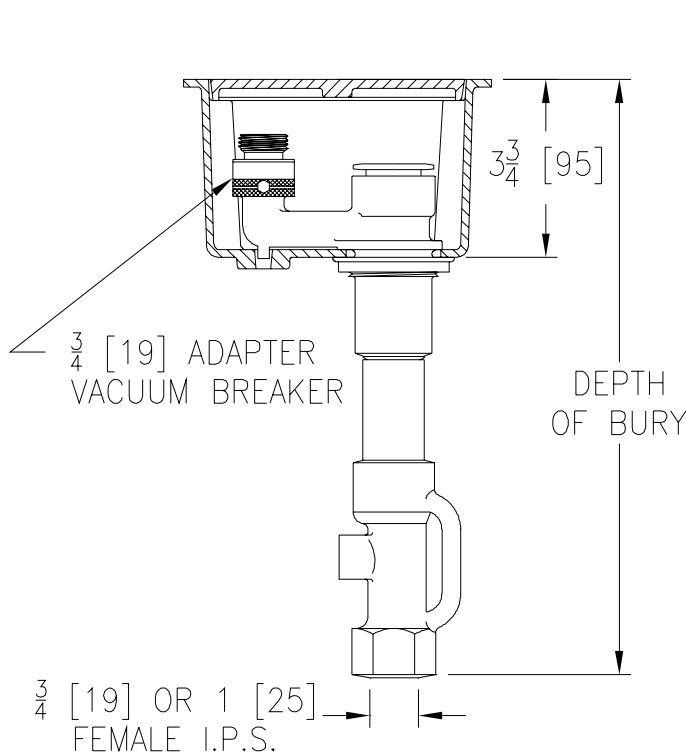
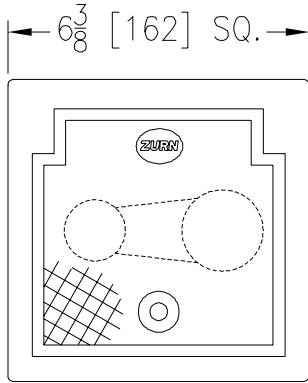
GROUND HYDRANT w/ ADAPTER VACUUM BREAKER

Encased, Flush Type, Non-Freeze

SPECIFICATION SHEET

TAG _____

Dimensional Data (inches and [mm]) are Subject to Manufacturing Tolerances and Change Without Notice



Depth of Bury Feet	Approx. Wt. Lbs. [kg]
2 [610]	17 [8]
3 [914]	21 [10]
4 [1219]	25 [11]
5 [1524]	33 [15]
6 [1829]	39 [18]
7 [2134]	43 [20]
8 [2438]	47 [21]
9 [2743]	52 [24]
10 [3048]	56 [25]

ENGINEERING SPECIFICATION: ZURN Z1360-VB

Encased, non-freeze hydrant, for flush with grade or finished (non-traffic) floor installation. Complete with galvanized steel casing, all bronze interior parts, bronze seat and replaceable seat washer, non-turning operating rod with free-floating compression closure valve and 3/4 [19] adapter vacuum breaker and air-relief operating screw. Plain bronze box and scoriated cover with operating key lock. Hydrant is equipped with a tapped 1/4 [6] drain port in valve housing.

Note:

- IMPORTANT** Hydrant must be opened one turn to seal drain port during use.

OPTIONS (Check/specify appropriate options)

SUFFIXES

- ____ -BC Bronze Casing
- ____ -CI D.C.C.I. Box and Cover
- ____ -DP12 1/2 [13] IP Drain Port in Box
- ____ -DP14 1/4 [6] IP Drain Port in Box
- ____ -DP38 3/8 [10] IP Drain Port in Box
- ____ -HD Heavy Duty Cover (-CI and -NB only)
- ____ -K Flashing Flange Only
- ____ -KC Flashing Flange with Clamp Collar
- ____ -NB Polished Nickel Bronze Face
- ____ -PB Polished Bronze Face
- ____ -RK Hydrant Parts Repair Kit

PARTS LIST

Item	Name	Quan.
5	Operating Screw	1
6	O-Ring	1
7	Operating Coupling	1
8	Operating Rod	1
9	Washer Guide	1
10	Washer (neoprene)	1
11	Screw	1
17	O-Ring	2
20	Removable Seat	1
25	O-Ring	1
26	Ball	1

*WHEN ORDERING REPLACEMENT PARTS SPECIFY DIM.

REV. B	DATE: 05/05/08	C.N. NO. 98440
DWG. NO. 58353	PRODUCT NO. Z1360-VB	

ZURN INDUSTRIES, LLC. ♦ SPECIFICATION DRAINAGE OPERATION ♦ 1801 Pittsburgh Ave. ♦ Erie, PA 16514

Phone: 814/455-0921 ♦ Fax: 814/454-7929 ♦ World Wide Web: www.zurn.com

In Canada: ZURN INDUSTRIES LIMITED ♦ 3544 Nashua Drive ♦ Mississauga, Ontario L4V1L2 ♦ Phone: 905/405-8272 Fax: 905/405-1292