



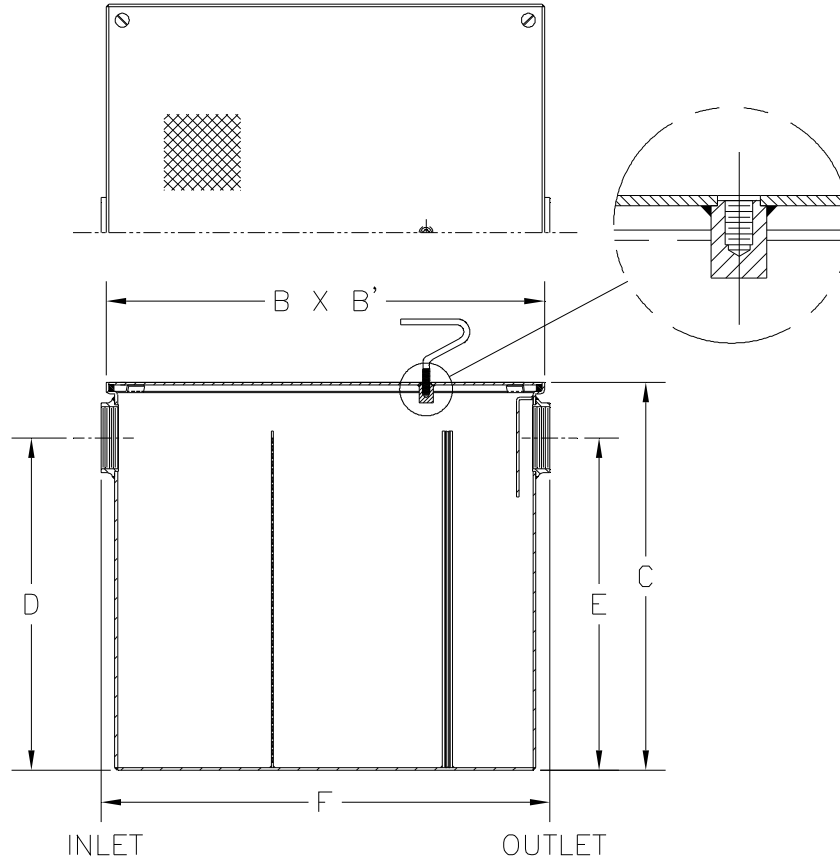
Z1185-100

LINT INTERCEPTOR WITH HIGH INLET/OUTLET

SPECIFICATION SHEET

TAG _____

Dimensional Data (inches and [mm]) are Subject to Manufacturing Tolerances and Change Without Notice



Size No. of Machines	Inlet/Outlet Size**	Flow Rate G.P.M. [L]	Approx. Wt. Lbs. [kg]	Dimensions In Inches					
				B	B'	C	D	E	F
3	2 [51]	30 [113]	93 [42]	17 [432]	17 [432]	16 1/2 [419]	13 1/2 [343]	13 1/2 [343]	17 1/4 [438]
7	3 [76]	70 [265]	155 [70]	25 [635]	25 [635]	20 [508]	17 [432]	17 [432]	25 1/2 [648]
10	4 [102]	100 [378]	271 [123]	33 [838]	33 [838]	28 [711]	25 [635]	25 [635]	34 [864]
20	4 [102]	200 [756]	404 [183]	40 [1016]	40 [1016]	35 [889]	32 [813]	32 [813]	41 [1041]
30	6 [152]	300 [1134]	654 [297]	45 [1143]	45 [1143]	40 [1016]	36 [914]	36 [914]	46 [1168]
40	6 [152]	400 [1512]	723 [328]	48 [1219]	48 [1219]	43 [1092]	39 [991]	39 [991]	49 [1245]
50	6 [152]	500 [1890]	911 [414]	52 [1321]	52 [1321]	47 [1194]	43 [1092]	43 [1092]	53 [1346]

ENGINEERING SPECIFICATION: ZURN Z1185-100 Acid Resistant Coated interior and exterior fabricated steel lint interceptor with high inlet and outlet, non-skid secured cover, with stainless lint intercepting secondary screen assembly and permanent primary straining baffle. Regularly furnished with high inlet and high outlet.

OPTIONS (Check/specify appropriate options)

PREFIXES

_____ Z Acid Resistant Coated Fabricated Steel*

SUFFIXES

_____ -RS Stainless Steel Screen Replacement Assembly

*REGULARLY FURNISHED UNLESS OTHERWISE SPECIFIED

REV.	DATE: 1/17/06	C.N. NO. 94570
DWG. NO. P-15237		PRODUCT NO. Z1185-100