



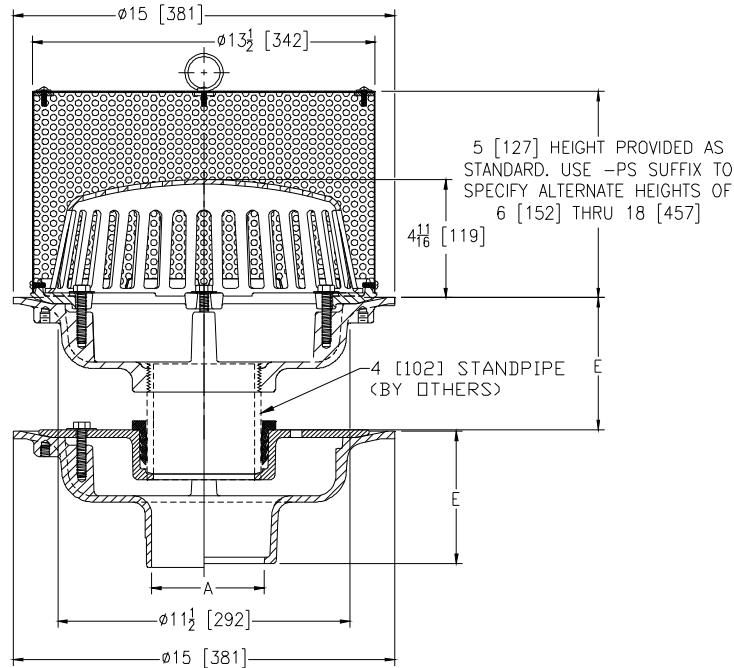
Z624-111

ISOLATION DECK DRAIN W/ Z110 UPPER GREEN ROOF DRAIN

SPECIFICATION SHEET

TAG _____

Dimensional Data (inches and [mm]) are Subject to Manufacturing Tolerances and Change Without Notice



A Pipe Size In [mm]	Approx. Wt. Lbs. [kg]	Dome Open Area Sq. In. [cm ²]
2, 3, 4 [51, 76, 102]	64 [29]	103 [665]

ENGINEERING SPECIFICATION: ZURN Z624-111

Floating slab drain, Dura-Coated cast iron upper and lower bodies, lower clamp collar with weep holes, neoprene flex gasket, upper combination membrane flashing clamp/gravel guard, low silhouette poly-dome, and secured stainless steel, perforated screen assembly with secured, removeable access cover with lift handle.

OPTIONS (Check/specify appropriate options)

PIPE SIZE

- 2,3,4 [51,76,102]
- 2,3,4 [51,76,102]
- 2,3,4 [51,76,102]
- 2,3,4 [51,76,102]
- 2,3,4 [51,76,102]

(Specify size/type) OUTLET

- ___ IC Inside Caulk
- ___ IG Inside Gasket
- ___ IP Threaded
- ___ NH No-Hub
- ___ NL Neo-Loc

'E' BODY HT. DIM.

- 5-1/4 [133]
- 5-1/4 [133]
- 3-3/4 [95]
- 5-1/4 [133]
- 4-5/8 [117]

PREFIXES

- ___ Z D.C.C.I. Body with Poly-Dome*
- ___ ZA D.C.C.I Body w/ Aluminum Dome Cast
- ___ ZC D.C.C.I Body w/ Cast Iron Dome
- ___ ZRB D.C.C.I Body w/ Plain Bronze Dome

SUFFIXES

- | | |
|---|--|
| ___ -AC Angular Underdeck Clamp (Lower Body) | ___ -R Sump Receiver (Lower Body) |
| ___ -C Underdeck Clamp (Lower Body) | ___ -ST Dome with Solid Top (ZA, ZC & ZRB Only) |
| ___ -DP Top-Set Deck Plate | ___ -TC Neo-Loc test cap Gasket (2,3,4 [51,76,102] NL outlet only) |
| ___ -DX Dex-o-tex Flange (Upper Body) | ___ -VP Vandal-Proof Secured Top |
| ___ -G Galvanized Cast Iron | ___ -W2 2 [51] Internal Water Dam |
| ___ -LH Less Weep Holes in Clamp Collar | ___ -W3 3 [76] Internal Water Dam |
| ___ -PS Perforated Screen 6 [152] thru 18 [457] (Specify Height Required) | ___ -W4 4 [102] Internal Water Dam |
| | ___ -90 90° Threaded Side Outlet Body (2,3,4,6 [51,76,102,152]) |

* Regularly furnished unless otherwise specified.