



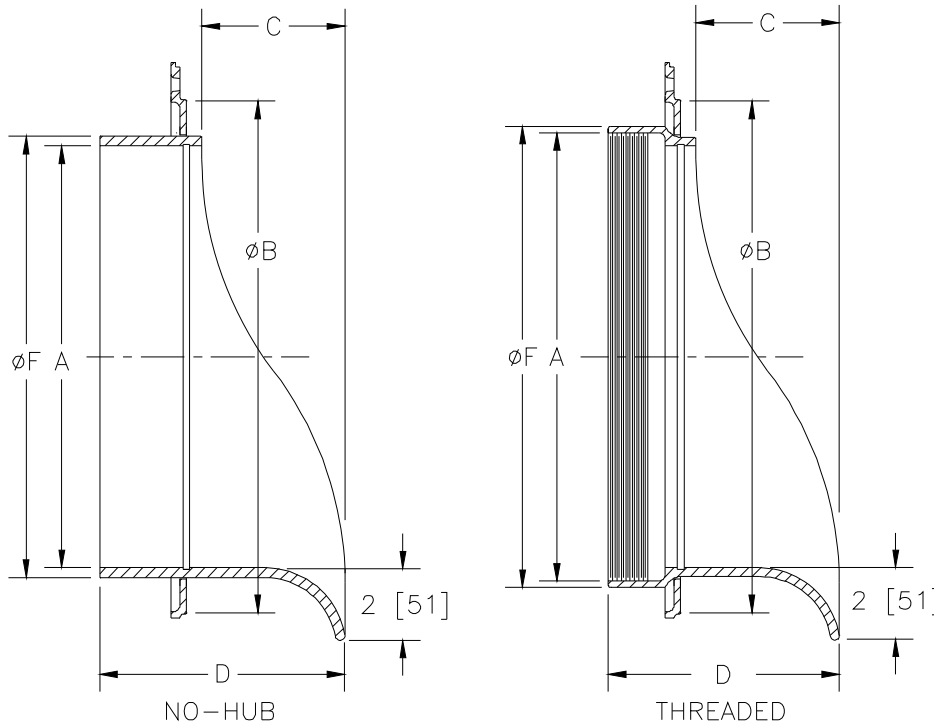
Z199-95

DOWNSPOUT NOZZLE W/ STATUARY BRONZE FINISH

SPECIFICATION SHEET

TAG _____

Dimensional Data (inches and [mm]) are Subject to Manufacturing Tolerances and Change Without Notice



| A Pipe Size | Dimensions in inches | | | | | | Approx. Wt. Lbs. [kg] |
|----------------|----------------------|--------------|---------------|---------------|---------------|---------------|-----------------------------|
| | B | C | D | | F | | |
| IP | | | NH | IP | NH | | |
| 2 [51] | 4-1/2 [114] | 2-5/8 [67] | 4-1/2 [114] | 4-1/2 [114] | 2-13/16 [71] | 2-3/8 [60] | 5 [2] |
| 3 [76] | 5-1/2 [140] | 2-5/8 [67] | 4-1/2 [114] | 4-1/2 [114] | 3-15/16 [100] | 3-3/8 [86] | 6 [3] |
| 4 [102] | 6-5/8 [102] | 2-43/64 [69] | 4-1/2 [114] | 4-1/2 [114] | 4-15/16 [125] | 4-3/8 [121] | 7 [3] |
| 5 [127] | 7-5/8 [194] | 3-1/16 [78] | 4-59/64 [125] | 5-15/32 [139] | 6-1/16 [154] | 5-5/16 [135] | 12 [5] |
| 6 [152] | 8-5/8 [219] | 3-3/32 [79] | 4-59/64 [125] | 5-15/32 [139] | 7-1/8 [181] | 6-5/16 [160] | 13 [6] |
| 8 [203] | 10-5/8 [270] | 2-31/32 [75] | 4-59/64 [125] | 5-25/32 [147] | 9-1/8 [232] | 8-3/8 [213] | 14 [6] |
| 10 [254] | 12-5/8 [321] | 3-1/2 [89] | 5-53/64 [148] | 6-5/16 [160] | 11-5/32 [283] | 10-9/16 [268] | 15 [7] |
| 12 [305] | 14-5/8 [371] | 4-5/64 [104] | 6-13/32 [163] | 6-57/64 [175] | 13-5/32 [334] | 12-1/2 [318] | 18 [8] |

ENGINEERING SPECIFICATION: ZURNZANB199-95

Downspout Nozzle, All bronze body, optional threaded or No-Hub inlet and decorative face of wall flange and outlet nozzle with statuary bronze finish.

OPTIONS (Check/specify appropriate options)

PIPE SIZE

2 thru 6, 8, 10, 12 [51 thru 152, 203, 254,305]
 2 thru 6, 8, 10, 12 [51 thru 152, 203, 254,305]

(Specify size/type) **OUTLET**

____ IP Threaded
 ____ NH No-Hub

PREFIXES

____ ZARB All Plain Bronze Body*

SUFFIXES

____ -PVC PVC Connection
 ____ -SS Removable Stainless Screen

*REGULARLY FURNISHED UNLESS OTHERWISE SPECIFIED

| | | |
|------------------------|----------------------------|------------------------|
| REV. | DATE: 07/19/12 | C.N. NO. 124587 |
| DWG. NO. 310144 | PRODUCT NO. Z199-95 | |