



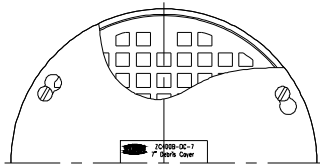
Z450B-DC

DRUM TRAP DRAIN W/ "TYPE B" STRAINER AND DEBRIS COVER

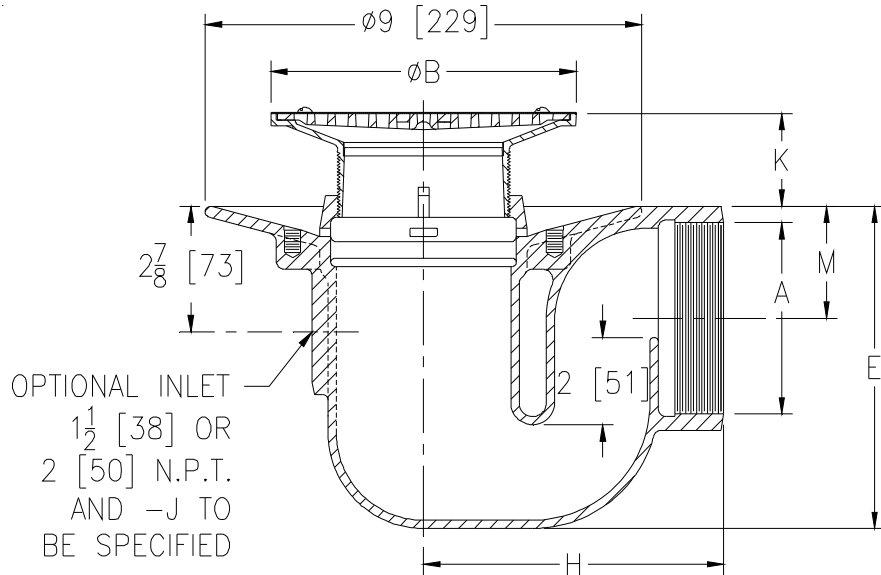
SPECIFICATION SHEET

TAG _____

Dimensional Data (inches and [mm]) are Subject to Manufacturing Tolerances and Change Without Notice



7" Top Illustrated



Dimensions In Inches					Approx. Wt. Lbs. [kg]	Strainer Open Area Sq. In. [cm ²] (After Removal of Debris Cover)	
A Pipe Size	B Strainer Dia.	H	K				M
			Min.	Max.			
2-3 [51-76]	5 [127]	6 [152]	7/8 [22]	2 [51]	1-1/2 [38]	18 [8]	8 [52]
4 [102]		6-7/8 [175]			2-1/2 [64]		
2-3 [51-76]	6 [152]	6 [152]	1-1/8 [29]	2-1/4 [57]	1-1/2 [38]	19 [9]	9 [58]
4 [102]		6-7/8 [175]			2-1/2 [64]		
2-3 [51-76]	7 [178]	6 [152]	1-1/2 [38]	2-5/8 [67]	2 [51]	33 [15]	12 [77]
4 [102]		6-7/8 [175]			2-1/2 [64]		
2-3 [51-76]	8 [203]	6 [152]	1-1/2 [38]	2-5/8 [67]	2-1/2 [64]	33 [15]	18 [116]
4 [102]		6-7/8 [175]			3-1/2 [89]		
4 [102]	10 [254]	6-7/8 [175]	2 [51]	3 [76]			26 [168]

ENGINEERING SPECIFICATION: ZURN ZN450B-DC

Drum trap floor and shower drain, Dura-Coated cast iron body with integral trap, side outlet, seepage pan, and adjustable "TYPE B" polished, nickel bronze strainer with galvanized steel construction debris cover.

OPTIONS (Check/specify appropriate options)

PIPE SIZE	(Specify size/type) OUTLET	'E' BODY HT. DIM.
2-3 [51-76]	_____ IP Threaded	6-1/2 [165]
4 [102]	_____ IP Threaded	7-3/8 [187]
2-3 [51-76]	_____ NH No-Hub	7-3/8 [187]
4 [102]	_____ NH No-Hub	7-3/8 [187]

PREFIXES

- _____ ZB D.C.C.I. Body Assembly w/Polished Bronze Top
- _____ ZN D.C.C.I. Body Assembly w/Polished Nickel Bronze Top*

SUFFIXES

- _____ -C Clamping Collar
- _____ -G Galvanized Cast Iron
- _____ -J Auxiliary Inlet (Specify 1-1/2 [38] or 2 [51])
- _____ -P Trap Primer Connection (Specify 1/2 [13] or 3/4 [19])
- _____ -U 1-3 [25-76] High Extension Adapter
- _____ -V Backwater Valve (Ball Float Type)
- _____ -VP Vandal-Proof Secured Top
- _____ -Y Sediment Bucket

*REGULARLY FURNISHED UNLESS OTHERWISE SPECIFIED

REV. -	DATE: 1/13/12	C.N. NO. 122647
DWG. NO. 302803	PRODUCT NO. Z450B-DC	

ZURN INDUSTRIES, LLC ♦ SPECIFICATION DRAINAGE OPERATION ♦ 1801 Pittsburgh Ave. ♦ Erie, PA 16514

Phone: 814455-0921 ♦ Fax: 814454-7929 ♦ World Wide Web: www.zurn.com

In Canada: ZURN INDUSTRIES LIMITED ♦ 3544 Nashua Drive ♦ Mississauga, Ontario L4V1L2 ♦ Phone: 905405-8272 Fax: 905405-1292