



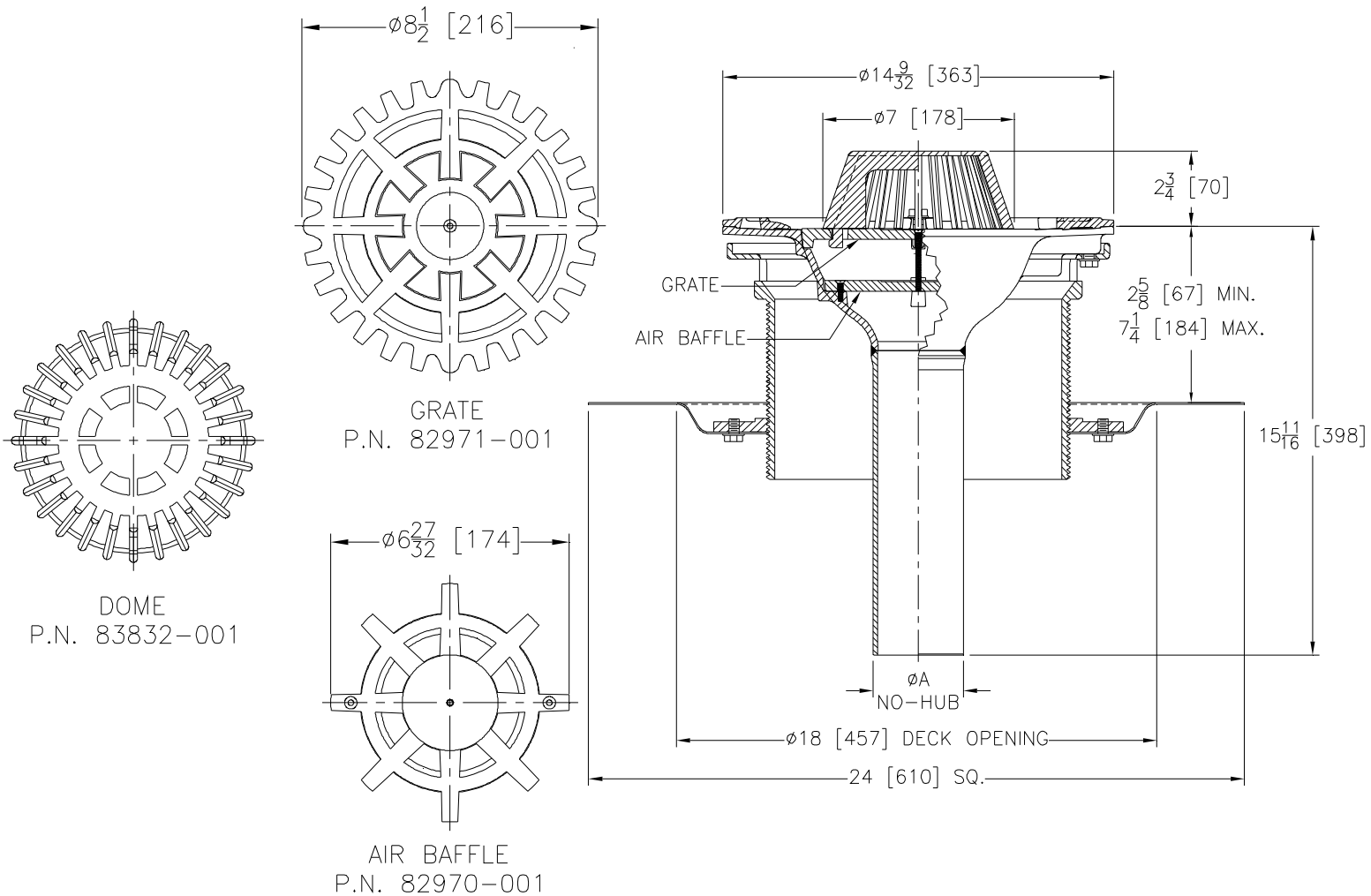
Z130-DR

14-9/32 [636] DIAMETER SIPHONIC MAIN DRAIN
W/TOP-SET® DRAIN RISER

SPECIFICATION SHEET

TAG _____

Dimensional Data (inches and [mm]) are Subject to Manufacturing Tolerances and Change Without Notice



A Pipe Size in [mm]	Approx Wt. lbs [kg]	Dome Open Area in ² [cm ²]
2,3,4 [51,76,102]	81 [37]	28 [181]

ENGINEERING SPECIFICATION: ZURN Z130-DR

14-9/32" [363mm] Diameter Siphonic Roof Drain with Dura-coated ductile iron drain body, membrane flashing clamp, low silhouette Poly-Dome, Top-Set® drain riser, drain riser flange, and Top-Set® deck plate. Complete with vandal-proof secured, Dura-coated cast iron air-restricting baffle and grate.

OPTIONS (Check/specify appropriate options)

PIPE SIZE

2,3,4 [51,76,102]

(Specify size) OUTLET

_____ NH No-Hub

PREFIXES

_____ Z Dura-Coated Ductile Iron Body with Poly-Dome*

SUFFIXES

- _____ -LD Less Dome
- _____ -LG Less Dome & Grate
- _____ -VP Vandal-Proof Secured Dome

* Regularly furnished unless otherwise specified.