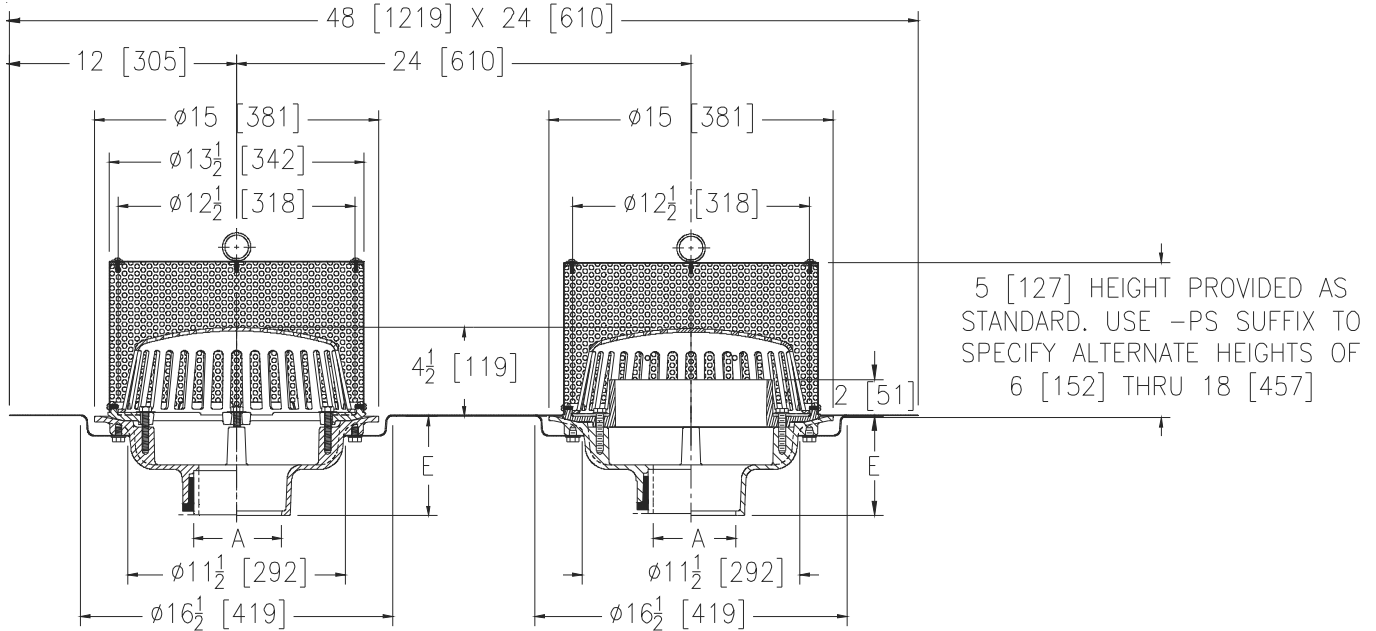


Ø15 [381] COMBINATION MAIN ROOF & OVERFLOW DRAIN W/ LOW SILHOUETTE DOMES & DOUBLE TOP-SET® DECK PLATE, PERFORATED SCREEN ASSEMBLY & REMOVABLE COVER W/ LIFT HANDLE

TAG _____

Dimensional Data (inches and [mm]) are Subject to Manufacturing Tolerances and Change Without Notice



A - Pipe Size In.	Approx. Wt. Lbs. [kg]	Dome Open Area Sq. In. [cm ²]
2, 3, 4 [51, 76, 102]	73 [33]	103 [665]
5, 6 [127, 152]	74 [34]	
8 [203]	75 [34]	

ENGINEERING SPECIFICATION: ZURN Z163-95
 15 [381] Diameter roof drain and overflow drain, Dura-Coated cast iron bodies with combination membrane flashing clamp/gravel guards, double Top-Set® deck plate, and low silhouette Poly-Domes. Complete with secured type 304 (CF8) stainless steel perforated screen assembly with secured removable access cover with lift handle.

OPTIONS (Check/specify appropriate options)

PIPE SIZE

- 2, 3, 4, 5, 6, 8 [51, 76, 102, 127, 152, 203]
- 2, 3, 4, 5, 6, 8 [51, 76, 102, 127, 152, 203]
- 2, 3, 4, 5, 6, 8 [51, 76, 102, 127, 152, 203]
- 2, 3, 4 [51, 76, 102]

(Specify size/type) **OUTLET**

- _____ IC Inside Caulk
- _____ IP Threaded
- _____ NH No-Hub
- _____ NL Neo-Loc

E BODY HT. DIM.

- 5-1/4 [133]
- 3-3/4 [95]
- 5-1/4 [133]
- 4-5/8 [117]

PREFIXES

- _____ Z D.C.C.I. Body with Poly-Dome*
- _____ ZA D.C.C.I. Body with Aluminum Dome
- _____ ZC D.C.C.I. Body with Cast Iron Dome
- _____ ZRB D.C.C.I. Body with Plain Bronze Dome

SUFFIXES

- _____ -AR Acid Resistant Epoxy Coated Finish
- _____ -DE Deck Extension
- _____ -DR Top-Set® Drain Riser
- _____ -E Static Extension 1 thru 4 [25 thru 102] (Specify Ht.)
- _____ -EA Adjustable Extension Assembly
- _____ -G Galvanized Cast Iron
- _____ -GD Galvanized Cast Iron Dome
- _____ -HD 6-3/4 [171] High Aluminum Dome Strainer (148 in² [955 cm²] Open Area)(ZA Only)
- _____ -SC Secondary Clamping Collar
- _____ -TC Neo-Loc Test Cap Gasket (2, 3, 4 [51, 76, 102] NL Bottom Outlet Only)
- _____ -VP Vandal Proof Secured Top
- _____ -W3 3 [76] Internal Water Dam
- _____ -W4 4 [102] Internal Water Dam
- _____ -XJ Vertical Expansion Joint (See Z190)
- _____ -84 Stainless Steel Perforated Gravel Guard
- _____ -85 Stainless Steel Perforated Extension
- _____ -89 2 [51] High External Water Dam (Replaces Internal Dam)

* Regularly furnished unless otherwise specified.