



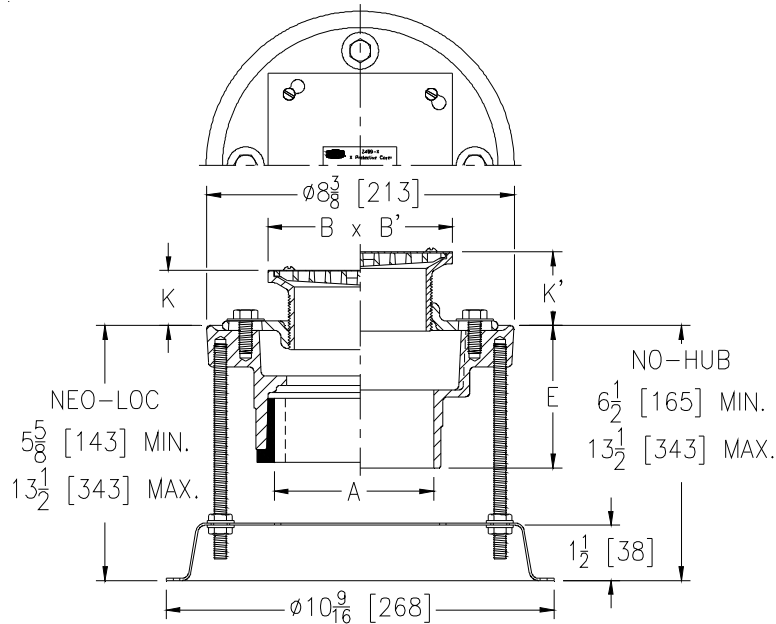
Z415S-PC-SA

BODY ASSEMBLY W/ "TYPE S" STRAINER, PROTECTIVE COVER AND STABILIZER ASSEMBLY

SPECIFICATION SHEET

TAG _____

Dimensional Data (inches and [mm]) are Subject to Manufacturing Tolerances and Change Without Notice



Dimensions in In [mm]						Approx. Wt. Lbs. [kg]	Strainer Open Area Sq. In. [cm ²] (After Removal of Protective Cover)
A - Pipe Size	B x B' Strainer Top Size	K		K'			
		Min.	Max.	Min.	Max.		
2,3 [51,76]	5 x 5 [127 x 127]	1 [25]	1-19/32 [40]	1-1/4 [32]	2-3/8 [60]	12 [5]	9 [58]
2,3,4 [51,76,102]	6 x 6 [152 x 152]	1 [25]	1-27/32 [47]	1-13/32 [36]	2-19/32 [66]	13 [6]	13 [84]
2,3,4 [51,76,102]	7 x 7 [178 x 178]	1 [25]	1-7/8 [48]	1-3/8 [35]	2-5/8 [67]	14 [6]	21 [135]
3,4 [76,102]	8 x 8 [203 x 203]	1-3/32 [28]	1-7/8 [48]	1-3/4 [44]	2-5/8 [67]	15 [7]	28 [181]

ENGINEERING SPECIFICATION: ZURNZN415S-PC-SA

Floor and shower drain, Dura-Coated cast iron body with bottom outlet, combination invertible membrane clamp and adjustable collar with seepage slots and "TYPE S" polished nickel bronze square heel-proof strainer with galvanized steel construction protective cover and stabilizer assembly.

OPTIONS (Check/specify appropriate options)

PIPE SIZE

2,3,4 [51,76,102]

2,3,4 [51,76,102]

(Specify size/type) OUTLET

_____ NH No-Hub

_____ NL Neo-Loc

'E' BODY HT. DIM.

3-13/16 [97]

3-7/8 [98]

PREFIXES

_____ ZB D.C.C.I. Body Assembly w/ Polished Bronze Top

_____ ZN D.C.C.I. Body Assembly w/ Polished Nickel Bronze Top*

SUFFIXES

_____ -AR Acid Resisting Epoxy Coated Cast Iron

_____ -CP Chrome-Plated Top

_____ -G Galvanized Cast Iron

_____ -HD Heavy-Duty Grate (ZN 6 x 6 [152 x 152] Only)

_____ -P Trap Primer Connection (Specify 1/2 [13] or 3/4 [19])

_____ -TC Neo-Loc Test Cap Gasket (2,3,4 [51,76,102] NL Outlet Only)

_____ -U 1-3 [25-76] High Extension Adapter

_____ -V Backwater Valve

_____ -VP Vandal-Proof Secured Top

_____ -Y Sediment Bucket

* Regularly furnished unless otherwise specified.