



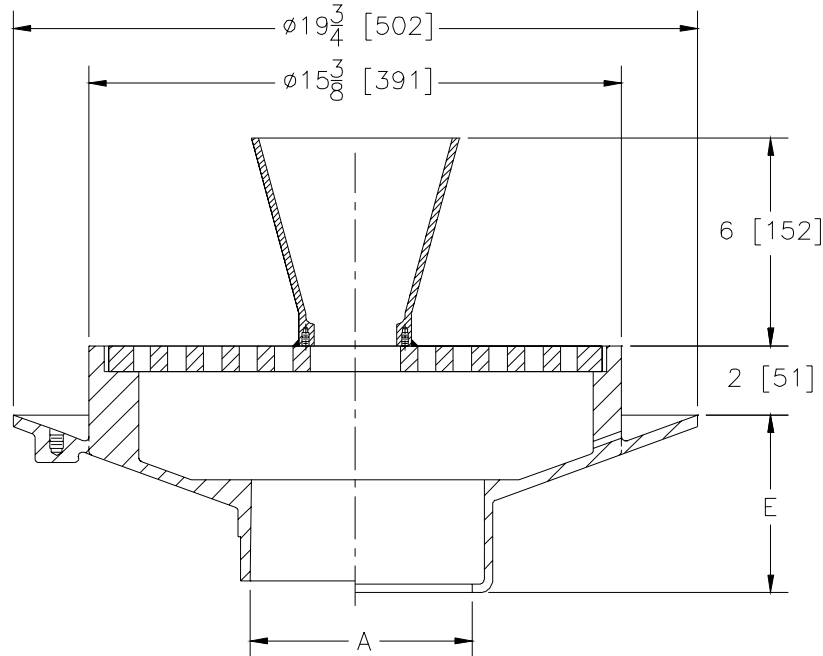
Z-503-79

15 [381] EXTRA HEAVY DUTY AREA DRAIN

SPECIFICATION SHEET

TAG _____

Dimensional Data (inches and [mm]) are Subject to Manufacturing Tolerances and Change Without Notice



A- Pipe Size In.	Approx. Wt. Lbs. [kg]	Grate Open Area Sq. In. [cm ²]
3-4-5-6-8 [75-100-125-150-200]	90 [41]	45 [290]

ENGINEERING SPECIFICATION: ZURN Z-503-79 15[381] Diameter top drain, Dura-Coated cast iron body with bottom outlet, seepage pan and extra heavy duty anti-tilt slotted grate and 6 [152] diameter funnel with grating removed under funnel opening.

OPTIONS (Check/specify appropriate options)

PIPE SIZE	(Specify size/type)	OUTLET	'E' BODY HT. DIM.
3 thru 6 [75 thru 150]	_____	IC Inside Caulk	5 1/8 [130]
8 [200]	_____	IC Inside Caulk	5 5/8 [143]
3, 4, 6 [75, 100, 150]	_____	IC Inside Caulk	5 1/8 [130]
3, 4, 6 [75, 100, 150]	_____	IG Inside Caulk w/Sealtrol Gskt.	5 1/8 [130]
3 thru 6, 8 [75 thru 150, 200]	_____	IP Threaded	3 [76]
4 [100]	_____	NL Neo-Loc	3 7/8 [98]

PREFIXES

- _____ Z- D.C.C.I. Body and Grate*
- _____ ZB- D.C.C.I. Body with Polished Bronze Grate (Add 3/16 [5] to 2 [51] Dim.)
- _____ ZN- D.C.C.I. Body with Polished Nickel Bronze Grate (Add 3/16 [5] to 2 [51] Dim.)

SUFFIXES

- _____ -AR Acid Resisting Epoxy Coated Cast Iron
- _____ -C Clamp Collar
- _____ -DG Duresist Grate
- _____ -G Galvanized Cast Iron
- _____ -S Secondary Strainer
- _____ -TS Top Secured With Slotted Screws
- _____ -V Backwater Valve (See Z-1099)
- _____ -VP Vandal Proof Secured Top
- _____ -Y Sediment Bucket

REV. A	DATE: 12/3/98	C.N. NO. 81885
DWG. NO. P-14685 PRODUCT NO. Z-503-79		

*REGULARLY FURNISHED UNLESS OTHERWISE SPECIFIED