

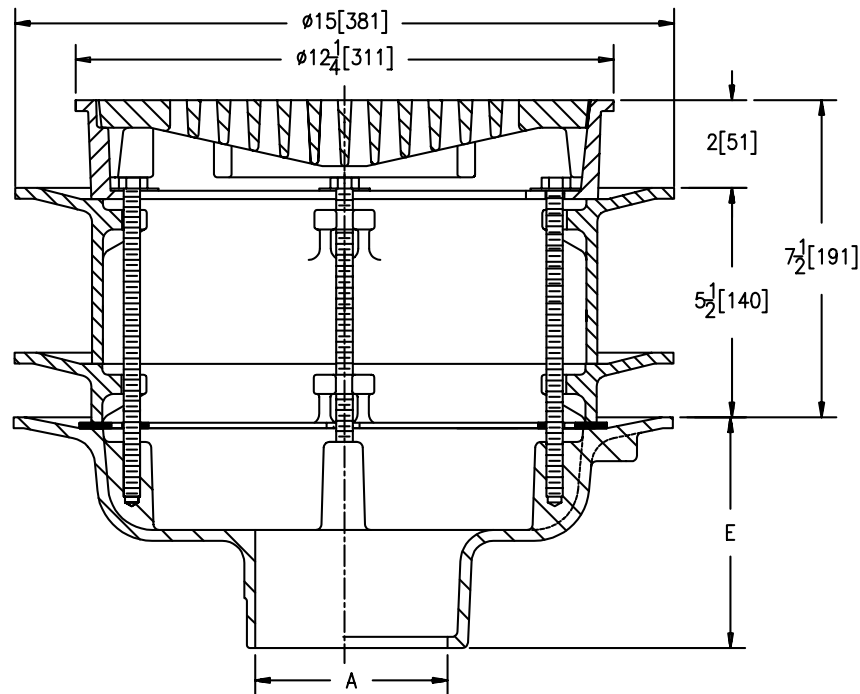


Z-505-80

12" [305] HEAVY DUTY DRAIN WITH EXTENSION FRAMES

TAG _____

Dimensional Data (inches and [mm]) are Subject to Manufacturing Tolerances and Change Without Notice



A- Pipe Size In.	Approx. Wt. Lbs. [kg]	Grate Open Area Sq. In. [cm ²]
2-3-4-5-6 [50-75-100-125-150]	38 [17]	30 [194]
8-10 [200-250]	40 [18]	

ENGINEERING SPECIFICATION: ZURN Z-505-80 12 [305] Diameter top drain. Dura-Coated cast iron body with bottom outlet, extensions, seepage pan and combination membrane flashing clamp and frame for heavy duty deep flange slotted grate.

OPTIONS (Check/specify appropriate options)

PIPE SIZE	(Specify size/type)	OUTLET	'E' BODY HT. DIM.
2 thru 6, 8, 10 [50 thru 150, 200, 250]	_____	IC Inside Caulk	5 1/4 [133]
2 thru 6, 8 [50 thru 150, 200]	_____	IG Inside Caulk w/Sealtrol Gskt.	5 1/4 [133]
2 thru 6, 8, 10 [50 thru 150, 200, 250]	_____	IP Threaded	3 3/4 [95]
2 thru 6, 8, 10 [50 thru 150, 200, 250]	_____	NH No-Hub	5 1/4 [133]
2 thru 4 [50 thru 100]	_____	NL Neo-Loc	4 5/8 [117]

PREFIXES

- _____ Z- D.C.C.I. Body and Grate*
- _____ ZB- D.C.C.I. Body with Polished Grate (Add 3/16 [5] to 2 [51] Dim.)
- _____ ZN- D.C.C.I. Body with Polished Nickel Bronze Grate (Add 3/16 [5] to 2 [51] Dim.)

SUFFIXES

- _____ -AR Acid Resistant Epoxy Coated Cast Iron
- _____ -D Dome Grate
- _____ -DG Duresist Grate
- _____ -G Galvanized Cast Iron
- _____ -HT Square Hinged Grate
- _____ -S Secondary Strainer
- _____ -SC Solid Cover
- _____ -T Square Top
- _____ -TS Top Secured with Slotted Screws
- _____ -V Backwater Valve (See Z-1099)
- _____ -VP Vandal Proof Secured Top
- _____ -Y Sediment Bucket
- _____ -90 90° Threaded Side Outlet Body (2 thru 6 [50 thru 150])

*REGULARLY FURNISHED UNLESS OTHERWISE SPECIFIED

REV.	DATE: 9/11/96	C.N. NO. 75723
DWG. NO. P-14375 PRODUCT NO. Z-505-80		