



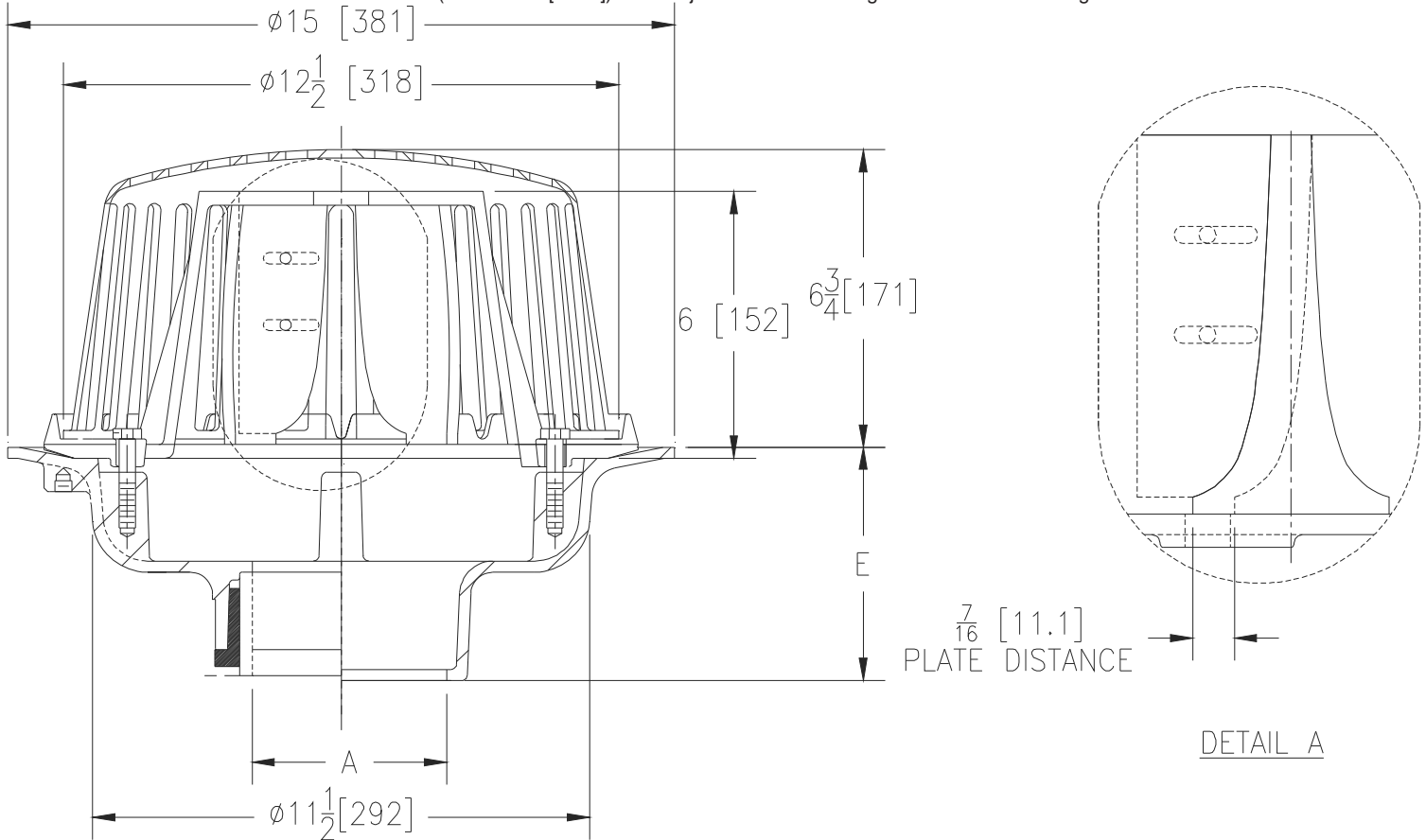
Z105-10-102

7/16" [11] RESTRICTED WEIR FOR SLOPED-ROOF "CONTROL-FLO" ROOF DRAIN

SPECIFICATION SHEET

TAG _____

Dimensional Data (inches and [mm]) are Subject to Manufacturing Tolerances and Change Without Notice



A' Pipe Size in [mm]	Approx. Wt. lbs [kgs]	Dome Open Area in ² [cm ²]	GPM Per Head [LPM]	Max Flow GPM [LPM] @ 4"
2,3,4 [51,76,102]	34 [15]	148 [955]	4 [15]	27.4 [103.8]

Engineering Specification: Z105-10-102

15" [381mm] Diameter Control-Flo Roof Drain for sloped roof construction. Dura-coated cast iron body, aluminum Control-Flo weir shall be linear functioning with integral membrane flashing clamp / gravel guard and aluminum dome.

OPTIONS (Check/specify appropriate options)

PIPE SIZE

- 2,3,4 [51,76,102]
- 2,3,4 [51,76,102]
- 2,3,4 [51,76,102]
- 2,3,4 [51,76,102]

(Specify size/type) OUTLET

- _____ IC Inside Caulk
- _____ IP Threaded
- _____ NH No-Hub
- _____ NL Neo-Loc

E BODY HT. DIM.

- 5-1/4 [133]
- 3-3/4 [95]
- 5-1/4 [133]
- 4-9/16 [116]

PREFIXES

- _____ ZA D.C.C.I. Body with Aluminum Dome*
- _____ ZC D.C.C.I. Body with Cast Iron Dome

* Regularly furnished unless otherwise specified.