



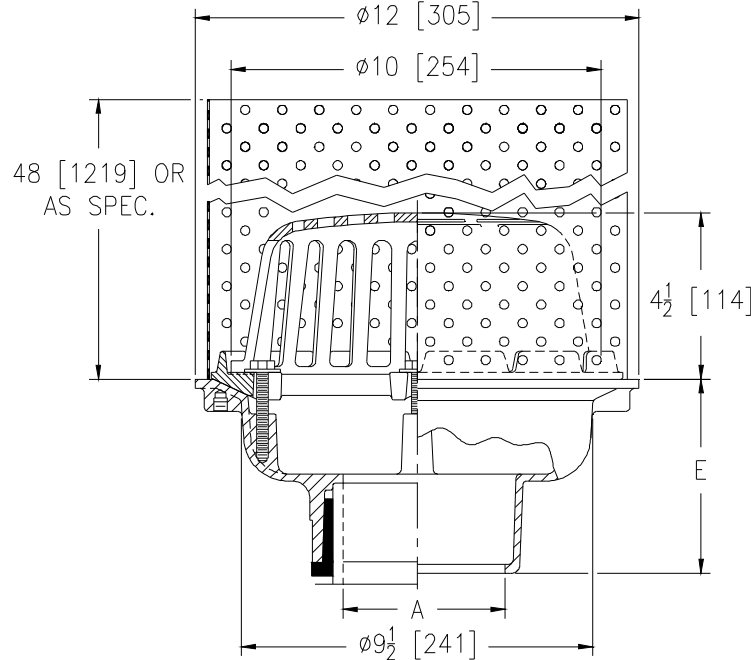
Z121-118

12 [305] DIAMETER ROOF DRAIN W/ LOW SILHOUETTE
DOME & 48 [1219] PERFORATED GRAVEL GUARD

SPECIFICATION SHEET

TAG _____

Dimensional Data (inches and [mm]) are Subject to Manufacturing Tolerances and Change Without Notice



A Pipe Size In. [mm]	Approx. Wt. Lbs. [kg]	Dome Open Area Sq. In. [cm ²]
2, 3, 4, 6 [51, 76, 102, 152]	24 [11]	78 [503]

ENGINEERING SPECIFICATION: ZURN Z121-118

12" [305mm] Diameter roof drain. Dura-Coated cast iron body with combination membrane flashing clamp/gravel guard 14 gauge 48" [1219mm] perforated ring and low silhouette Poly-Dome.

PIPE SIZE

- 2,3,4,6 [51,76,102,152]
- 2,3,4,6 [51,76,102,152]
- 2,3,4,6 [51,76,102,152]
- 2,3,4 [51,76,102]

(Specify size/type) **OUTLET**

- _____ IC Inside Caulk
- _____ IP Threaded
- _____ NH No-Hub
- _____ NL Neo-Loc

E BODY HT. DIM.

- 5-1/4 [133]
- 3-3/4 [95]
- 5-1/4 [133]
- 4-9/16 [116]

PREFIXES

- ___ Z D.C.C.I. Body with Poly-Dome (4-1/4 [108] Dome Height)*
- ___ ZA D.C.C.I. Body with Aluminum Dome (6-9/16 [167] Dome Height)
- ___ ZC D.C.C.I. Body with Low Silhouette Cast Iron Dome (4-1/4 [108] Dome Height)
- ___ ZRB D.C.C.I. Body with Plain Bronze Dome (3-7/8 [98] Dome Height)

SUFFIXES

- ___ -AR Acid Resistant Epoxy Coated Finish
- ___ -C Underdeck Clamp
- ___ -DP Top Set® Roof Deck Plate
(Replaces both the -C and -R)
- ___ -DR Adjustable Drain Riser Extension Assembly
Adjustable from 3-5/8 [92] to 7-1/4 [184]
- ___ -E Static Extension 1 [25] thru 4 [102] (Specify Ht.)
- ___ -EB Top-Set® Adjustable Extension Assembly
- ___ -G Galvanized Cast Iron
- ___ -R Roof Sump Receiver
- ___ -SC Secondary Clamping Collar
- ___ -TC Neo-Loc Test Cap Gasket
(2, 3, 4 [51, 76, 102] NL Bottom Outlet Only)
- ___ -VP Vandal-Proof Secured Top
- ___ -XJ Vertical Expansion Joint (See Z190)
- ___ -85 Stainless Steel Perforated Extension
- ___ -89 2 [51] High External Water Dam
- ___ -90 90° Threaded Side Outlet Body
(2, 3, 4 [51, 76, 102] Only)

* Regularly furnished unless otherwise specified.