

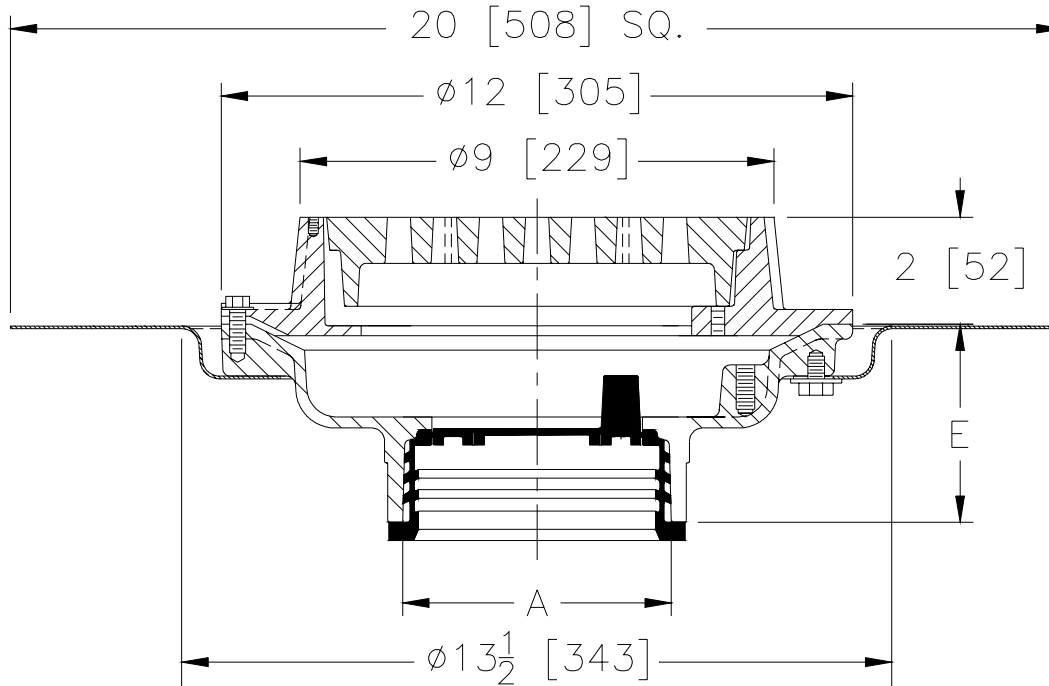


Z508-91

9" [229] HEAVY DUTY DRAIN W/ TOP-SET® DECK PLATE & NEO-LOC OUTLET WITH INTEGRAL TEST CAP

TAG _____

Dimensional Data (inches and [mm]) are Subject to Manufacturing Tolerances and Change Without Notice



A- Pipe Size In.	Approx. Wt. Lbs. [kg]	Grate Open Area Sq. In. [cm ²]
2-3-4 [50-75-100]	21 [10]	18 [116]

ENGINEERING SPECIFICATION: ZURN Z508-91

9" [229] Diameter top drain, Dura-Coated cast iron body with neo-loc outlet with integral test cap, seepage pan and combination membrane flashing clamp, frame for heavy duty cast iron deep flange slotted grate and top-set® deck plate.

OPTIONS (Check/specify appropriate options)

PIPE SIZE

2, 3, 4 [50, 75, 100]

(Specify size) OUTLET

____ NL Neo-Loc

'E' BODY HT. DIM.

3 3/4 [95]

PREFIXES

- ____ Z D.C.C.I. Body and Grate*
- ____ ZB D.C.C.I. Body with Polished Bronze Grate (Add 3/16 [5] to 2 [51] Dim.)
- ____ ZN D.C.C.I. Body with Polished Nickel Bronze Grate (Add 3/16 [5] to 2 [51] Dim.)

SUFFIXES

- ____ -AR Acid Resisting Epoxy Coated Cast Iron
- ____ -DG Duresist Grate
- ____ -F Extension Frame
- ____ -G Galvanized Cast Iron
- ____ -S Secondary Strainer
- ____ -SC Solid Cover
- ____ -SG Solid Gasketed Cover
- ____ -TS Top Secured With Slotted Screws
- ____ -VP Vandal Proof Secured Top
- ____ -Y Sediment Bucket

*REGULARLY FURNISHED UNLESS OTHERWISE SPECIFIED

REV.	DATE: 11/14/02	C.N. NO. 90070
DWG. NO. P-14945 PRODUCT NO. Z508-91		