



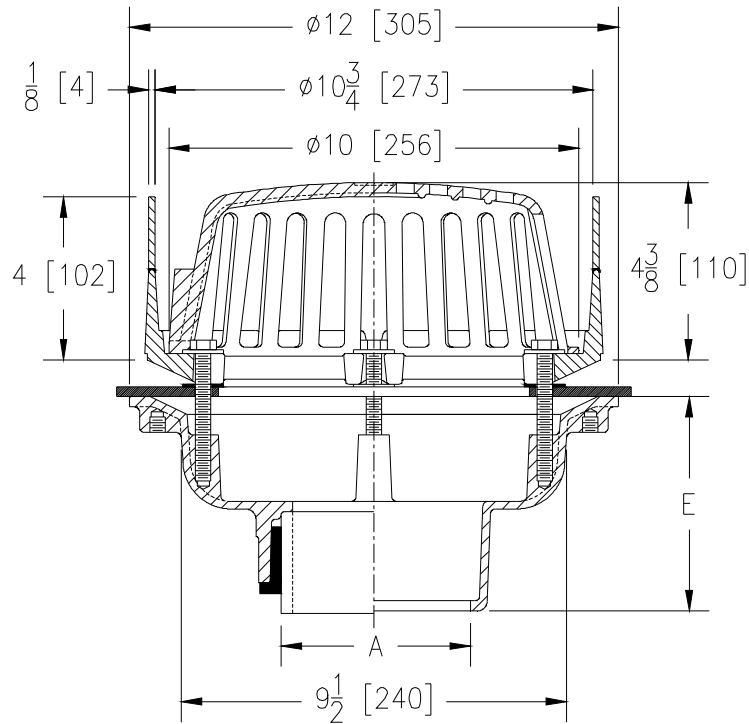
Z121-109

12 [305] DIAMETER ROOF DRAIN LOW SILHOUETTE DOME
FOR STEEL GUTTER APPLICATIONS W/ 4 [102] EXTERNAL
WATERDAM

SPECIFICATION SHEET

TAG _____

Dimensional Data (inches and [mm]) are Subject to Manufacturing Tolerances and Change Without Notice



A Pipe Size In.	Approx. Wt. Lbs. [kg]	Dome Open Area Sq. In. [cm ²]
2 thru 6 [51 thru 152]	22 [10]	78 [503]

ENGINEERING SPECIFICATION: ZURN Z121-109

12 [305] Diameter roof drain. Dura-Coated cast iron body with gasket, combination membrane flashing clamp/gravel guard with elevating washers and low silhouette cast iron dome.

OPTIONS (Check/specify appropriate options)

PIPE SIZE

- 2 thru 6 [51 thru 152]
- 2 thru 6 [51 thru 152]
- 2 thru 6 [51 thru 152]
- 2-3-4 [51-76-102]

(Specify size/type) **OUTLET**

- _____ IC Inside Caulk
- _____ IP Threaded
- _____ NH No-Hub
- _____ NL Neo-Loc

E BODY HT. DIM.

- 5 1/4 [133]
- 3 3/4 [95]
- 5 1/4 [133]
- 4 5/8 [117]

PREFIXES

- ___ Z D.C.C.I. Body with Dome*
- ___ ZA D.C.C.I. Body with Aluminum Dome
- ___ ZRB D.C.C.I. Body with Plain Bronze Dome

SUFFIXES

- ___ -AR Acid Resistant Epoxy Coated Finish
- ___ -E 2 [51] High Static Extension (Specify Height)
- ___ -G Galvanized Cast Iron
- ___ -TC Neo-Loc Test Cap Gasket
(2 - 4 [51 - 102] NL Bottom Outlet Only)
- ___ -VP Vandal-Proof Secured Top
- ___ -XJ Vertical Expansion Joint (See Z190)
- ___ -90 90° Threaded Side Outlet Body
(2 - 4 [51 - 102]) (Previously Z124)

REV.	DATE: 4/1/10	C.N. NO. 110935
DWG. NO. P-15879 PRODUCT NO. Z121-109		

*REGULARLY FURNISHED UNLESS OTHERWISE SPECIFIED