



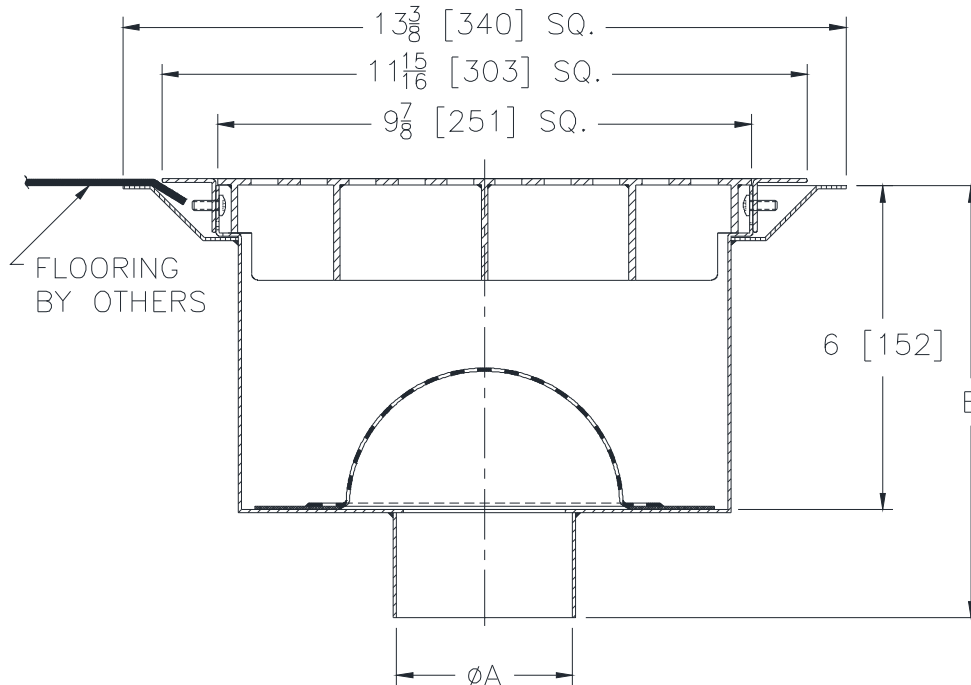
# Z1755-79

13-3/8 [340] SQ. SANI-FLOR RECEPTOR 6 [152] SUMP W/  
ADJUSTABLE CLAMP FRAME & HEAVY-DUTY HALF GRATE

SPECIFICATION SHEET

TAG \_\_\_\_\_

Dimensional Data (inches and [ mm ]) are Subject to Manufacturing Tolerances and Change Without Notice



A- Pipe Size In. [mm]	Approx. Wt. Lbs. [kg]	Grate Open Area Sq. In. [cm]
2,3,4 [51,76,102]	10 [5]	47 [303]

**ENGINEERING SPECIFICATION: ZURN Z1755-79**  
 13-3/8" [340mm] Square x 6" [152mm] deep, 16 gage, All Type 304 (CF8) Fabricated stainless steel heavy-duty Sani-Flor receptor with Integral flooring clamp frame and non-tilt loose-set half grate with interior dome strainer for unlevel floor installations.

### OPTIONS (Check/specify appropriate options)

#### PIPE SIZE

2,3,4 [51,76,102]

(Specify size) **OUTLET**

\_\_\_\_ NH No-Hub

**'E' BODY HT. DIM.**

8 [203]

#### PREFIXES

- \_\_\_\_ Z Type 304 (CF8) Stainless Steel Body\*
- \_\_\_\_ ZM Type 316 (CF8M) Stainless Steel

#### SUFFIXES

- \_\_\_\_ -P 1/2 [13] Trap Primer Connection
- \_\_\_\_ -1 Full Grate
- \_\_\_\_ -3 3/4 Grate

Note: Heavy-duty load rating tested on full grate, as no standard covers 1/2 & 3/4 grates

\* Regularly furnished unless otherwise specified.