



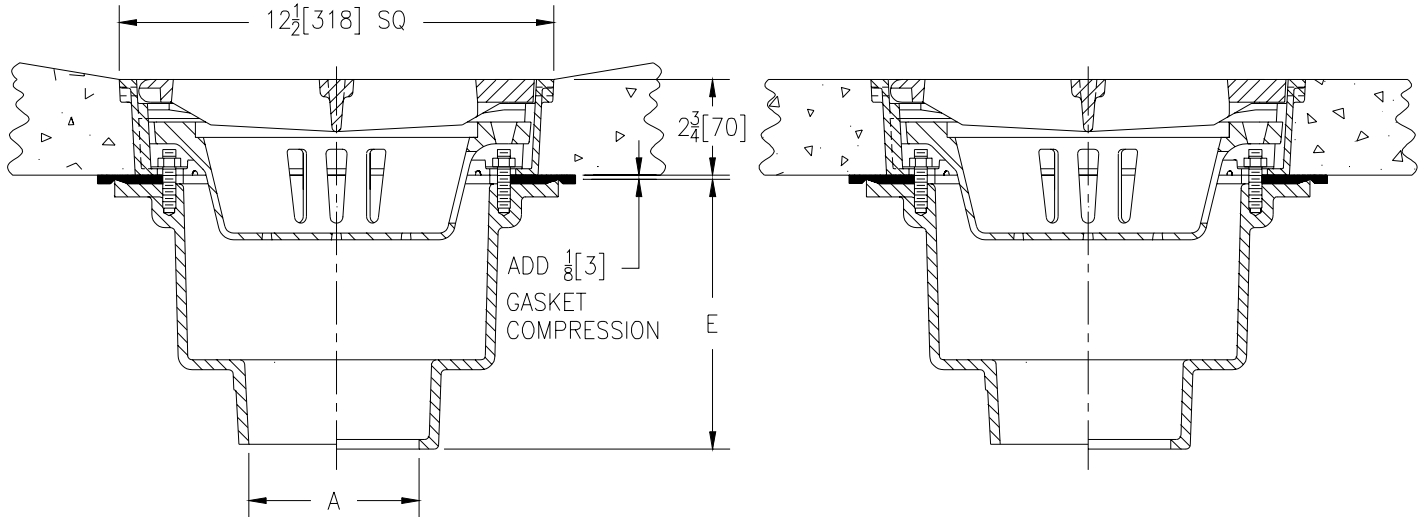
Z-662-87

SPECIFICATION SHEET

12 1/2 [318] SQ. EXTRA HEAVY DUTY DRAIN FOR ANY PRECAST CONCRETE PARKING DECK SYSTEM

TAG _____

Dimensional Data (inches and [mm]) are Subject to Manufacturing Tolerances and Change Without Notice



A- Pipe Size In.	Approx. Wt. Lbs. [kg]	Grate Open Area Sq. In. [cm ²]
3-4 [75-100]	84 [38]	40 [258]
5-6 [125-150]	90 [41]	

ENGINEERING SPECIFICATION: Z-662-87

12 1/2 [318] Square Top drain, Dura-Coated cast iron body with bottom outlet, seepage pan and combination membrane flashing clamp and frame, gasket seal, cast iron extra heavy duty loose slotted grate and suspended sediment bucket.

OPTIONS (Check/specify appropriate options)

PIPE SIZE

3 thru 6 [75 thru 150]
 3, 4, 6 [75, 100, 150]
 3 thru 6,8 [75 thru 150,200]
 (IP w/Z-1040-1)
 3, 4 [75, 100]

(Specify size/type) OUTLET

_____ IC Inside Caulk
 _____ IG Inside Caulk w/Sealtrol Gskt.
 _____ IP Threaded
 _____ NH No-Hub
 _____ NL Neo-Loc

'E' BODY HT. DIM.

7 3/4 [197]
 7 3/4 [197]
 6 3/8 [162]
 7 1/8 [181]

PREFIXES

_____ Z- D.C.C.I. Body and Grate*
 _____ ZB- D.C.C.I Body w/Polished Bronze Top (Add 3/16 [5] to 3 3/8 [86] and 11/16 [17] to 16 [406] Dim.)
 _____ ZN- D.C.C.I Body w/Polished Nickel Bronze Top (Add 3/16 [5] to 3 3/8 [86] and 11/16 [17] to 16 [406] Dim.)

SUFFIXES

_____ -AR Acid Resistant Epoxy coated Finish
 _____ -DG Duresist Grate
 _____ -G Galvanized Cast Iron
 _____ -H Hinged Grate
 _____ -HL Hinged Locking Grate
 _____ -SS Stainless Mesh Liner for Bucket
 _____ -TS Top Secured With Slotted Screws
 _____ -V Backwater Valve (See Z-1099)
 _____ -VP Vandal Proof Secured Top
 _____ -YA Aluminum Sediment Bucket
 _____ -90 90° Threaded Side Outlet Body

*REGULARLY FURNISHED UNLESS OTHERWISE SPECIFIED

REV.	DATE: 3/13/00	C.N. NO. 84720
DWG. NO. P-14777		PRODUCT NO. Z-662-87