



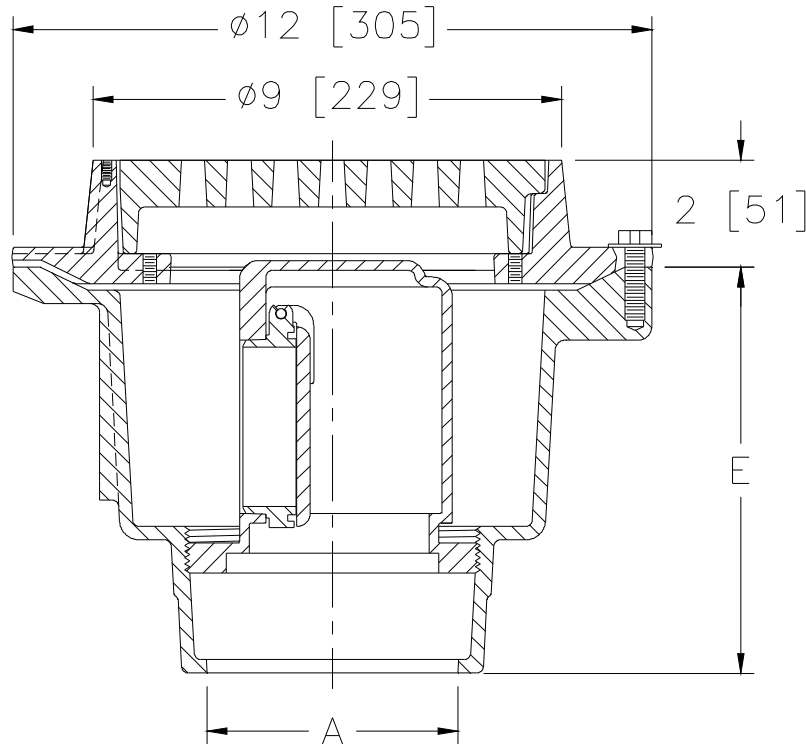
Z511-V

9 [229] DIAMETER HEAVY DUTY DRAIN W/ BACKWATER VALVE

SPECIFICATION SHEET

TAG _____

Dimensional Data (inches and [mm]) are Subject to Manufacturing Tolerances and Change Without Notice



A Pipe Size In. [mm]	Approx. Wt. Lbs. [kg]	Grate Open Area Sq. In. [cm ²]
3,4 [76,102]	49 [22]	18 [116]

ENGINEERING SPECIFICATION: ZURN Z511-V

9" [229mm] Diameter top drain, Dura-Coated cast iron deep sump body with bottom outlet, seepage pan and combination membrane flashing clamp and frame for heavy duty cast iron deep flange grate with backwater valve.

OPTIONS (Check/specify appropriate options)

PIPE SIZE

3,4 [76,102]
3 [76]
3,4 [76,102]

(Specify size/type) OUTLET

___ IC Inside Caulk
___ IG Inside Caulk w/Sealtrol Gskt.
___ IP Threaded

'E' BODY HT. DIM.

7-5/8 [194]
7-5/8 [194]
7-5/8 [194]

PREFIXES

___ Z D.C.C.I. Body and Grate*
___ ZB D.C.C.I. Body with Polished Bronze Grate (Add 3/16 [5] to 2 [51] Dim. & 5/8 [16] to 9 [229] Dim.)
___ ZN D.C.C.I. Body with Polished Nickel Bronze Grate (Add 3/16 [5] to 2 [51] Dim. & 5/8 [16] to 9 [229] Dim.)

SUFFIXES

___ -AR Acid Resisting Epoxy Coated Coated Finish	___ -SG Solid Gasketed Cover
___ -DG Duresist Grate	___ -TS Top Secured with Slotted Screws
___ -F 2 [51] Extension Frame	___ -VP Vandal Proof Secured Top
___ -G Galvanized Cast Iron	
___ -HP Heel-Proof Grate	
___ -P Trap Primer Connection	
___ -SC Solid Cover w/ Lift Handle	

* Regularly furnished unless otherwise specified.