

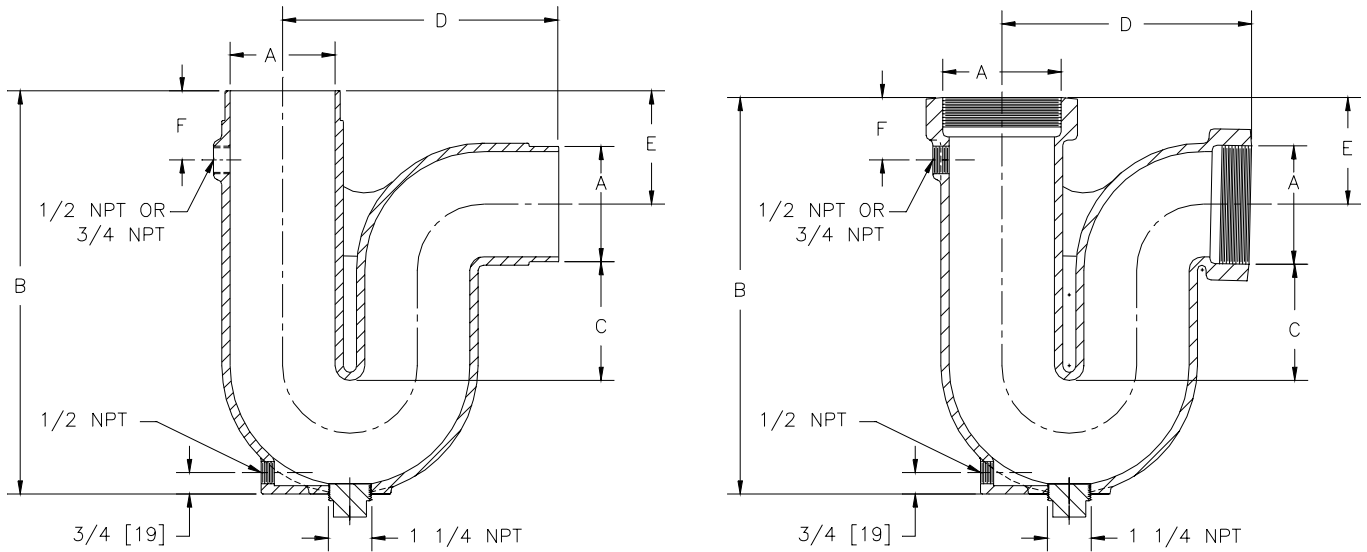


Z-1000-FL-P DEEP SEAL TRAP

SPECIFICATION SHEET

TAG _____

Dimensional Data (inches and [mm]) are Subject to Manufacturing Tolerances and Change Without Notice



Dimensions In Inches						Approx. Wt. Lbs. [kg]
A Pipe Size	B	C	D	E	F	
Threaded						
2 [50]	9 1/2 [241]	4 [102]	5 7/8 [149]	1 3/4 [44]	1 5/8 [41]	8 [4]
3 [75]	13 [330]	5 [127]	7 1/2 [190]	3 [76]	2 1/8 [54]	17 [8]
4 [100]	15 [381]		9 1/2 [241]	4 [102]	2 3/8 [60]	32 [14]
No-Hub						
2 [50]	10 1/2 [267]	4 [102]	6 1/2 [165]	2 3/4 [70]	2 5/8 [67]	8 [4]
3 [75]	13 1/2 [343]	5 [127]	8 [203]	3 1/2 [89]	2 5/8 [67]	17 [8]
4 [100]	15 1/4 [387]		9 1/2 [241]	4 1/4 [108]	2 5/8 [67]	32 [14]

ENGINEERING SPECIFICATION:ZURN Z-1000-FL-P Deep Seal Trap, Dura-Coated cast iron body with trap primer connection, flushing connection and bronze bottom cleanout plug.

CONNECTIONS (Check/specify appropriate options)

PIPE SIZE

2, 3, 4 [50, 75, 100]
2, 3, 4 [50, 75, 100]

(Specify size/type) **CONNECTION**

____ IP Threaded
____ NH No-Hub

PREFIXES

____ Z- D.C.C.I. Body*

SUFFIXES

____ -G Galvanized Cast Iron

*REGULARLY FURNISHED UNLESS OTHERWISE SPECIFIED

REV.	DATE: 2/17/00	C.N. NO. 84376
DWG. NO. 63843	PRODUCT NO. Z-1000-FL-P	