



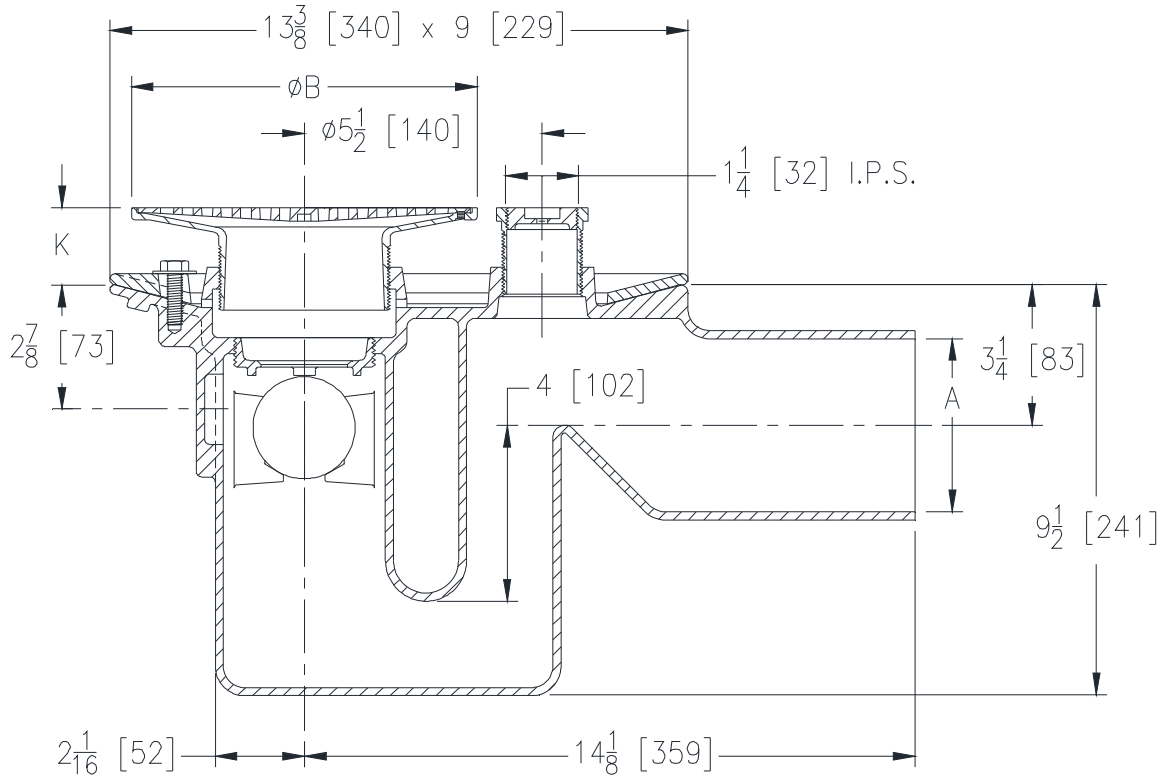
# Z456B-V

DEEP SEAL TRAP DRAIN W/ "TYPE B" STRAINER  
FLOOR CLEANOUT & BACKWATER VALVE

SPECIFICATION SHEET

TAG \_\_\_\_\_

Dimensional Data (inches and [ mm ]) are Subject to Manufacturing Tolerances and Change Without Notice



| Dimensions In Inches [mm] |                 |            |            | Approx. Wt. Lbs. [kg] | Strainer Open Area Sq. In. [cm <sup>2</sup> ] |
|---------------------------|-----------------|------------|------------|-----------------------|---|
| A Pipe Size               | B Strainer Dia. | K          |            |                       |   |
|                           |                 | Min.       | Max.       |                       |   |
| 2, 3, 4 [51, 76, 102]     | 5 [127]         | 1-1/4 [32] | 2 [51]     | 41 [19]               | 8 [52]  |
| 2, 3, 4 [51, 76, 102]     | 6 [152]         | 1-1/8 [29] | 2-1/4 [57] | 43 [20]               | 9 [58]  |
| 2, 3, 4 [51, 76, 102]     | 7 [178]         | 1-1/2 [38] | 2-5/8 [67] | 45 [20]               | 12 [77]                                       |
| 2, 3, 4 [51, 76, 102]     | 8 [203]         | 1-1/2 [38] | 2-5/8 [67] | 47 [21]               | 18 [116]                                      |

**ENGINEERING SPECIFICATION:**

ZURNZN456B-V  
Floor and shower drain. Dura-Coated cast iron body deep seal integral trap with clamping collar, backwater valve, seepage pan, floor level cleanout and adjustable "Type B" polished, nickel bronze strainer.

**OPTIONS** (Check/specify appropriate options)

**PIPE SIZE** \_\_\_\_\_ (Specify size) **OUTLET**

2, 3, 4 [51, 76, 102] \_\_\_\_\_ NH No-Hub

**PREFIXES**

\_\_\_\_\_ ZN D.C.C.I. Body Assembly w/ Polished Nickel Bronze Top\*

**SUFFIXES**

- \_\_\_\_\_ -AR Acid Resisting Epoxy Coated Cast Iron
- \_\_\_\_\_ -G Galvanized Cast Iron
- \_\_\_\_\_ -P Trap Primer Connection (Specify 1/2 [13] or 3/4 [19])
- \_\_\_\_\_ -PC Protective Cover
- \_\_\_\_\_ -VP Vandal-Proof Secured Top
- \_\_\_\_\_ -Y Sediment Bucket

\* Regularly furnished unless otherwise specified.