



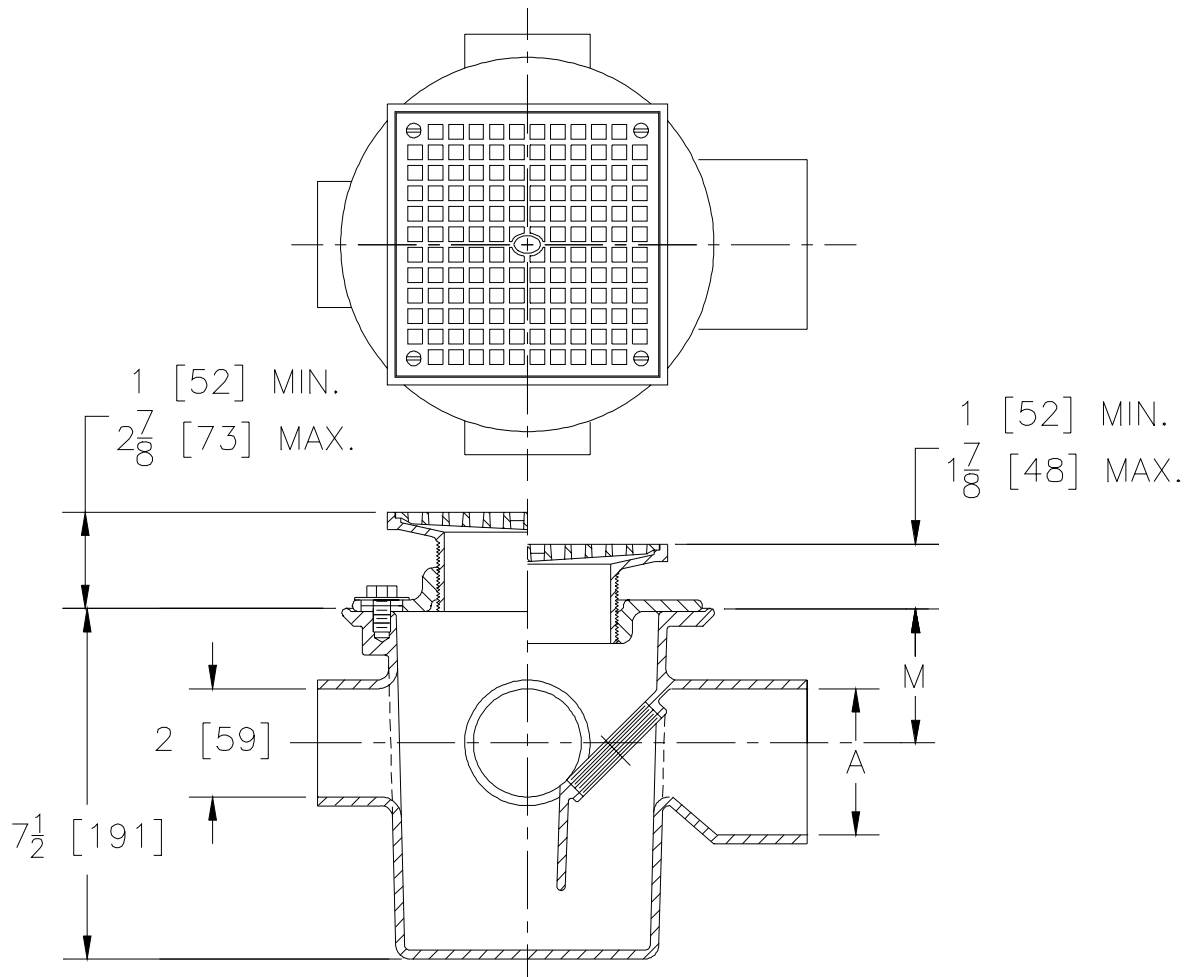
Z-356-75

FLOOR DRAIN WITH TRAP MULTI-INLET, ADJUSTABLE

SPECIFICATION SHEET

TAG _____

Dimensional Data (inches or [mm]) are Subject to Manufacturing Tolerances and Change Without Notice



Dimensions In Inches		Approx. Wt. Lbs.
A-Pipe Size	M	
2 [50]	2-7/8 [73]	18 [8]
3 [75]	3-3/8 [86]	

ENGINEERING SPECIFICATION: ZURN ZN-356-75 Multi-Inlet adjustable floor drain with trap, Dura-Coated cast iron body with integral trap seal, complete with plastic cleanout plug, inverta collar and 6" [152] square polished nickel bronze adjustable top.

OPTIONS (Check/specify appropriate options)

OUTLET

___ **NH** No-Hub

PIPE SIZE (Specify size)

___ 2", 3" [50, 75]

'E' BODY HT. DIMENSION

7-1/2" [191]

PREFIXES

- ___ **ZB-** D.C.C.I. Body w/Polished Bronze Top
- ___ **ZN-** D.C.C.I. Body w/Polished Nickel Bronze Top*

SUFFIXES

- ___ **-BP** Bronze Plug
- ___ **-G** Galvanized Cast Iron
- ___ **-HD** Heavy Duty Slotted Grate
- ___ **-J** Auxiliary Inlet Connection (Opposite Outlet)
- ___ **-J2** Two Auxiliary Inlet Connections (1 Opposite Outlet, 1 Left Side Facing Outlet)
- ___ **-J3** Three Auxiliary Inlet Connections
- ___ **-VP** Vandal Proof Secured Top

*REGULARLY FURNISHED UNLESS OTHERWISE SPECIFIED

REV. **DATE:** 2/4/94 **C.N. NO.** 69536

DWG. NO. P-13919 **PRODUCT NO.** Z-356-75