



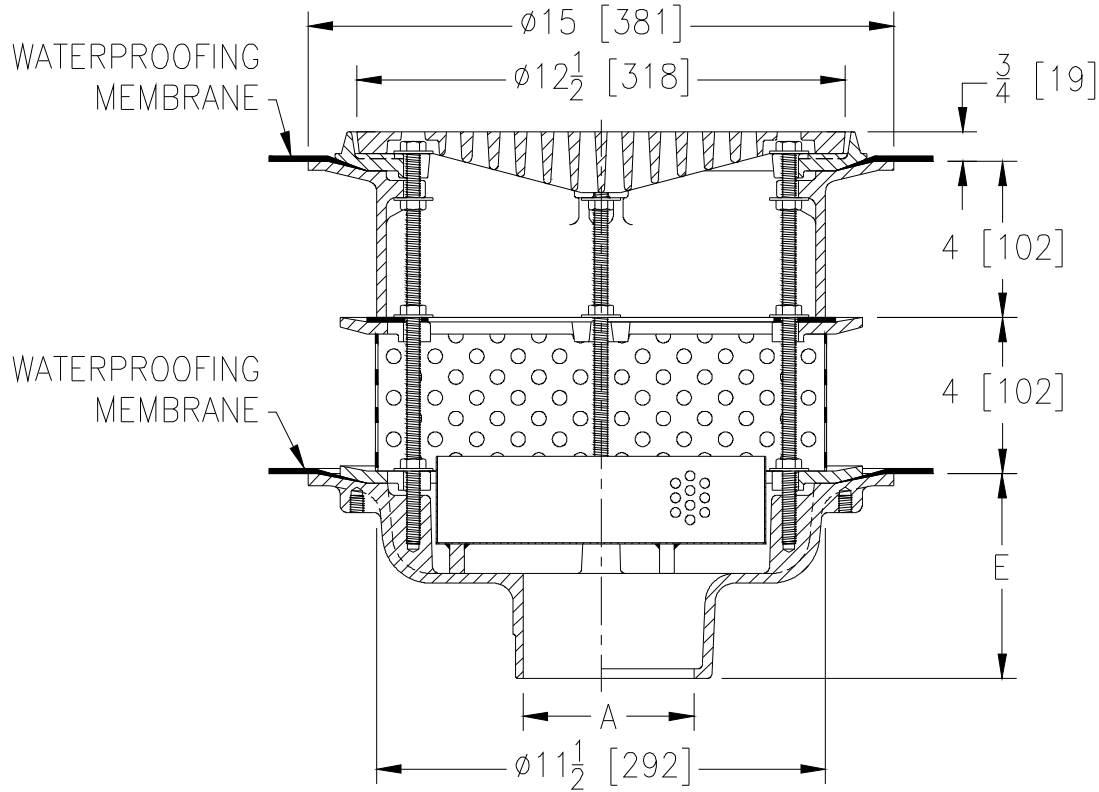
Z349-81

15 [381] DIAMETER TERRACE PLANTING AREA DRAIN W/ BUCKET, PERFORATED EXTENSION, EXTENSION AND FLUSH GRATE

SPECIFICATION SHEET

TAG _____

Dimensional Data (inches and [mm]) are Subject to Manufacturing Tolerances and Change Without Notice



A Pipe Size In.	Approx. Wt. Lbs. [kg]	Grate Open Area Sq. In. [cm ²]
2,3,4 [51,76,102]	32 [15]	32 [206]
5,6 [127,152]	33 [16]	

ENGINEERING SPECIFICATION: ZURN Z349-81

Terrace Planting area Drain, Dura-Coated cast iron body, with bottom outlet, perforated free standing bucket, stainless steel perforated extension, secondary clamp collar, static extension, combination membrane flashing clamp/gravel guard and flush grate

OPTIONS (Check/specify appropriate options)

PIPE SIZE

- 2 thru 6 [51 thru 152]
- 2 thru 4 & 6 [51 thru 102 & 152]
- 2 thru 6 [51 thru 152]
- 2 thru 6 [51 thru 152]
- 2 thru 4 [51-76-102]
- 6 [152]

(Specify size/type) OUTLET

- ___ IC Inside Caulk
- ___ IG Inside Caulk w/Sealtrol Gskt.
- ___ IP Threaded
- ___ NH No-Hub
- ___ NL Neo-Loc
- ___ NL Neo-Loc

'E' BODY HT. DIM.

- 5 1/4 [133]
- 5 1/4 [133]
- 3 3/4 [95]
- 5 1/4 [133]
- 4 9/16 [117]
- 5 7/16 [138]

PREFIXES

- ___ Z D.C.C.I. Body and Top*

SUFFIXES

- ___ -C Underdeck Clamp
- ___ -G Galvanized Cast Iron
- ___ -SA Stabilizer Assembly (See Z1036)

REV.	DATE: 11/5/09	C.N. NO. 110387
DWG. NO. P-15792 PRODUCT NO. Z349-81		

*REGULARLY FURNISHED UNLESS OTHERWISE SPECIFIED