



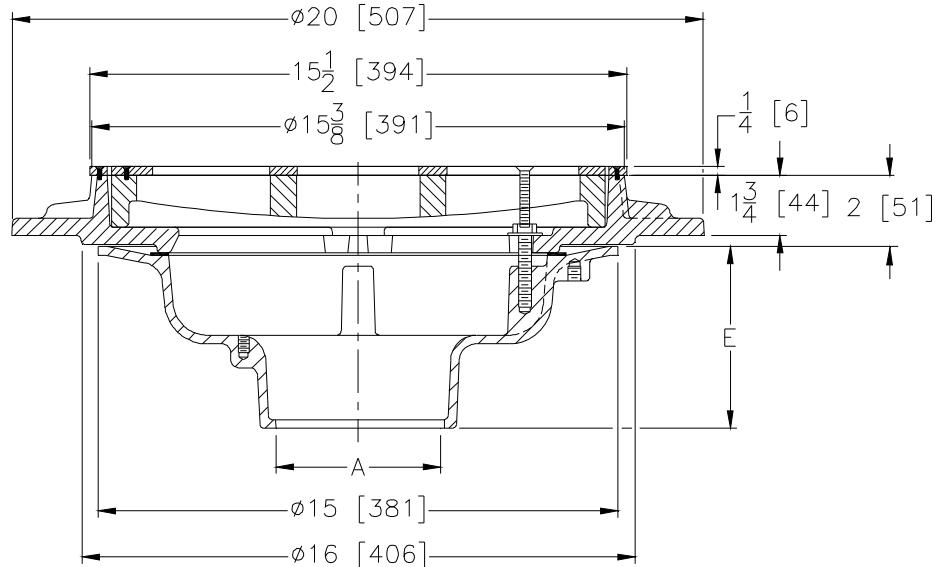
Z536-82

15 [381] DIAMETER HEAVY-DUTY PARKING DECK DRAIN W/
SUPPORT FLANGE, HEEL-PROOF & VANDAL PROOF STAINLESS
STEEL VENEER

SPECIFICATION SHEET

TAG _____

Dimensional Data (inches and [mm]) are Subject to Manufacturing Tolerances and Change Without Notice



A- Pipe Size In. [mm]	Approx. Wt. Lbs. [kg]	Grate Open Area Sq. In. [cm ²]
2,3,4,5,6 [51,76,102,127,152]	95 [43]	30 [194]
8,10 [203,254]	97 [44]	

ENGINEERING SPECIFICATION: ZURN ZS536-82

15" [381 mm] Diameter Parking Deck Drain, Dura-Coated cast iron body with bottom outlet, heavy-duty gasketed drain support flange, heavy-duty slotted grate, heel-proof and vandal proof stainless steel veneer.

OPTIONS (Check/specify appropriate options)

PIPE SIZE	(Specify size/type)	OUTLET	'E' BODY HT. DIM.
2,3,4,5,6,8,10 [51,76,102,127,152,203,254]	___	IC Inside Caulk	5-1/4 [133]
2,3,4,6 [51,76,102,152]	___	IG Inside Gasket	5-1/4 [133]
2,3,4,5,6,8,10 [51,76,102,127,152,203,254]	___	IP Threaded	3-3/4 [95]
2,3,4,5,6,8,10 [51,76,102,127,152,203,254]	___	NH No-Hub	5-1/4 [133]
2,3,4 [51,76,102]	___	NL Neo-Loc	4-5/8 [117]

PREFIXES

___ ZS D.C.C.I. Body with Polished Stainless Steel Top*.

SUFFIXES

- ___ -C Underdeck Clamp
- ___ -DG Duresist Grate
- ___ -G Galvanized Cast Iron
- ___ -SA Stabilizer Assembly (See Z1036)
- ___ -TC Neo-Loc Test Cap Gasket
(2, 4 [51, 102] NL Bottom Outlet Only)
- ___ -XJ Vertical Expansion Joint (See Z190)
(Use with IP Type Outlet)
- ___ -Y Sediment Bucket
- ___ -24 24 [610] Diameter Flange

* Regularly furnished unless otherwise specified.