

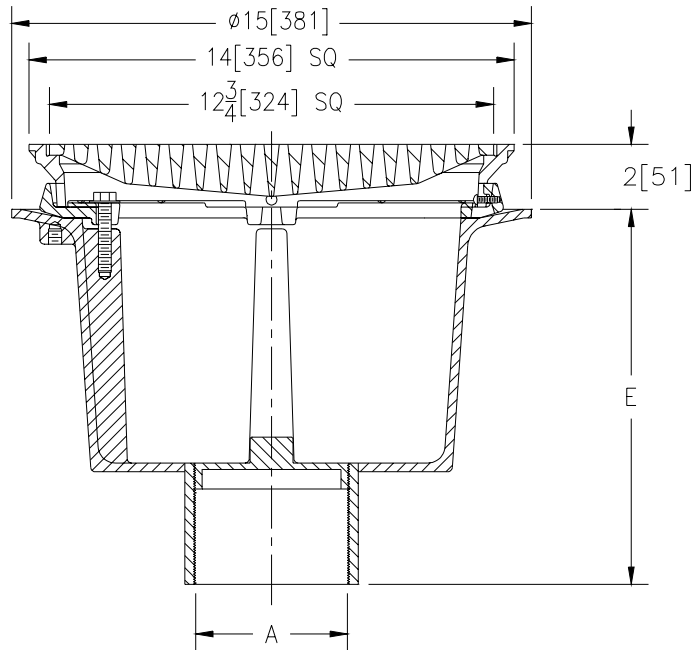


Z-150-113
14" [356] TOP PROM-DECK DRAIN
WITH HEEL-PROOF GRATE

SPECIFICATION SHEET

TAG _____

Dimensional Data (inches and [mm]) are Subject to Manufacturing Tolerances and Change Without Notice



A- Pipe Size In.	Approx. Wt. Lbs. [kg]	Grate Open Area Sq. In. [cm ²]
3-4 [75-100]	72 [33]	44 [284]
6 [150]		

ENGINEERING SPECIFICATION: ZURN Z-150-113 14 [356] Top Prom-Deck drain. Dura-Coated cast iron deep sump body with promenade frame and heavy-duty, heel proof grate with combination membrane flashing clamp/gravel guard, and closure plug.

OPTIONS (Check/specify appropriate options)

PIPE SIZE	(Specify size/type)	OUTLET	'E' BODY HT. DIM.
3 [75]	_____	IP Threaded	10 9/16 [268]
4 [100]	_____	IP Threaded	10 13/16 [275]
6 [150]	_____	IP Threaded	11 5/16 [287]

PREFIXES

- _____ Z- D.C.C.I. Body with Grate*
- _____ ZB- D.C.C.I. Body with Polished Bronze Grate (Add 3/16 [5] to 2 [51] Dim & 3/8 [10] to 14 [356] Dim.)
- _____ ZN- D.C.C.I. Body with Polished Nickel Bronze Grate (Add 3/16 [5] to 2 [51] Dim. & 3/8 [10] to 14 [356] Dim.)

SUFFIXES

- _____ -AC Angular Underdeck Clamp
- _____ -AR Acid Resistant Epoxy Coated Finish
- _____ -C Underdeck Clamp
- _____ -E Static Extension 1 [25] thru 4 [102] (Specify Ht)
- _____ -EA Adjustable Extension Assembly
- _____ -ES Static Extension With Secondary Clamp
- _____ -G Galvanized Cast Iron
- _____ -R Roof Sump Receiver
- _____ -VP Vandal Proof Secured Top
- _____ -XJ Vertical Expansion Joint

REV. A	DATE: 2/6/01	C.N. NO. 87262
DWG. NO. P-14819 PRODUCT NO. Z-150-113		

*REGULARLY FURNISHED UNLESS OTHERWISE SPECIFIED