



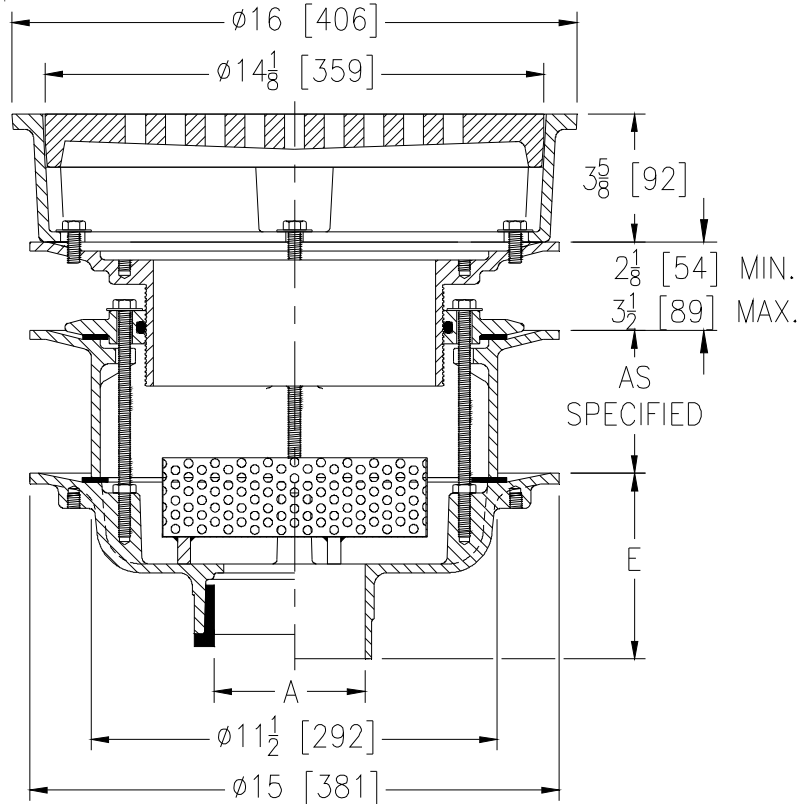
Z545-86

SPECIFICATION SHEET

Ø16 [406] DRAIN W/ STATIC EXTENSION, ADJUSTABLE EXTENSION & FABRICATED BUCKET

TAG _____

Dimensional Data (inches and [mm]) are Subject to Manufacturing Tolerances and Change Without Notice



A Pipe Size	Approx. Wt. Lbs. [kg]	Grate Open Area Sq. In. [cm ²]
2-3-4 [51-76-102]	110 [50]	45 [290]
5-6 [127-152]	112 [51]	

ENGINEERING SPECIFICATION: ZURN Z545-86

16 [406] Diameter top drain, Dura-Coated cast iron body with bottom outlet, static extension, adjustable extension assembly, seepage pan and combination membrane flashing clamp and frame for cast iron slotted grate with fabricated sediment bucket complete with stainless steel hardware.

OPTIONS (Check/specify appropriate options)

PIPE SIZE

2 thru 4 [51 thru 102]
2 thru 4 [51 thru 102]
2 thru 6 [51 thru 152]
2 thru 6 [51 thru 152]
2 thru 4 [51 thru 102]

(Specify size/type) OUTLET

___ IC Inside Caulk
___ IG Inside Caulk w/Sealtrol Gskt.
___ IP Threaded
___ NH No-Hub
___ NL Neo-Loc

'E' BODY HT. DIM.

5-1/4 [133]
5-1/4 [133]
3-3/4 [95]
5-1/4 [133]
4-5/8 [117]

PREFIXES

___ Z D.C.C.I. Body and Top*
___ ZB D.C.C.I. Body with Polished Bronze Top (Add 3/16 [5] to 3 1/2 [89] Dim.)
___ ZN D.C.C.I. Body with Polished Nickel Bronze Top (Add 3/16 [5] to 3 1/2 [89] Dim.)

SUFFIXES

___ -DG Duresist Grate
___ -G Galvanized Cast Iron
___ -TC Neo-Loc Test Cap Gasket (2 - 4 [51-102] NL Bottom Outlet Only)
___ -VP Vandal-Proof Secured Top

*REGULARLY FURNISHED UNLESS OTHERWISE SPECIFIED

REV. DATE: 09/19/12 C.N. NO. 124746

DWG. NO. 310496 PRODUCT NO. Z545-86

ZURN INDUSTRIES, LLC. ♦ SPECIFICATION DRAINAGE OPERATION ♦ 1801 Pittsburgh Ave. ♦ Erie, PA 16514

Phone: 814/455-0921 ♦ Fax: 814/454-7929 ♦ World Wide Web: www.zurn.com

In Canada: ZURN INDUSTRIES LIMITED ♦ 3544 Nashua Drive ♦ Mississauga, Ontario L4V1L2 ♦ Phone: 905/405-8272 Fax: 905/405-1292