



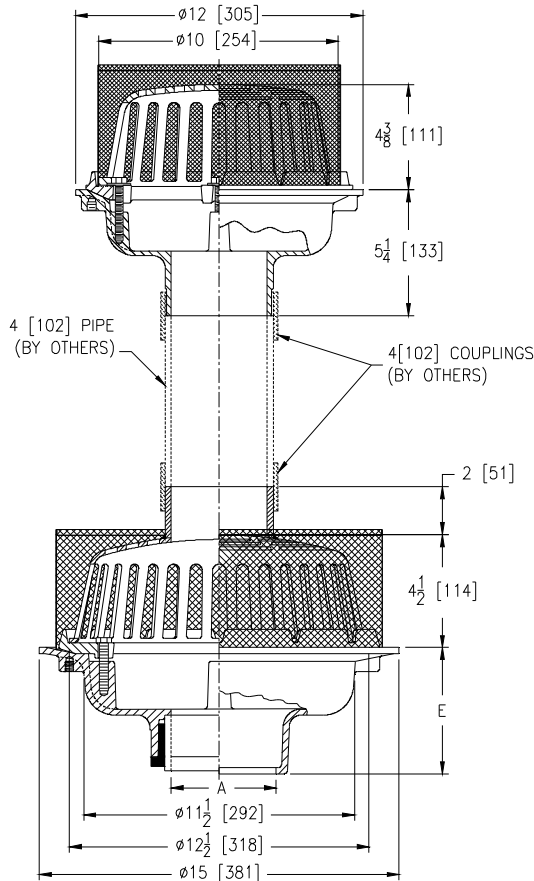
Z100-213

15 [381] DIAMETER COMBINATION MAIN ROOF DRAIN AND 12 [304] DIAMETER PLANTING AREA DRAIN

SPECIFICATION SHEET

TAG _____

Dimensional Data (inches and [mm]) are Subject to Manufacturing Tolerances and Change Without Notice



A- Pipe Size In.	Approx. Wt. Lbs. [kg]	Top Dome Open Area Sq. In. [cm ²]
2-3-4 [51-76-102]	50 [23]	78 [503]
5-6 [126-152]	52 [24]	
8 [203]	54 [25]	

ENGINEERING SPECIFICATION: ZURN ZC100-213

15 [381] Diameter roof drain. Dura-Coated lower cast iron body with combination membrane flashing clamp/gravel guard, low silhouette dome with 4 [102] standpipe, and stainless steel mesh screen over dome. Upper planting area drain complete with Dura-Coated cast iron body with bottom outlet, combination membrane flashing clamp/gravel guard, low silhouette cast iron dome and, stainless steel mesh screen over dome. NOTE: 4 [102] Drainage pipe and no-hub couplings provided by others.

OPTIONS (Check/specify appropriate options)

PIPE SIZE

- 2 thru 6,8 [51 thru 152,203]
- 2 thru 6,8 [51 thru 152,203]
- 2 thru 6,8 [51 thru 152,203]
- 2,3,4 [51,76,102]
- 6 [152]

(Specify size/type) **OUTLET**

- _____ IC Inside Caulk
- _____ IP Threaded
- _____ NH No-Hub
- _____ NL Neo-Loc
- _____ NL Neo-Loc

E BODY HT. DIM.

- 5 1/4 [133]
- 3 3/4 [95]
- 5 1/4 [133]
- 4 9/16 [116]
- 5 7/16 [112]

PREFIXES

- _____ ZC D.C.C.I. Bodies and Cast Iron Domes*

SUFFIXES

- _____ -AC Angular Underdeck Clamp
- _____ -AR Acid Resistant Epoxy Coated Finish
- _____ -C Underdeck Clamp
- _____ -DP Top-Set® Deck Plate (Replaces both the -C and -R)
- _____ -G Galvanized Cast Iron
- _____ -R Roof Sump Receiver
- _____ -VP Vandal Proof Secured Top

REV.	DATE: 10/1/09	C.N. NO. 110273
DWG. NO. P-15777 PRODUCT NO. Z100-213		

*REGULARLY FURNISHED UNLESS OTHERWISE SPECIFIED