



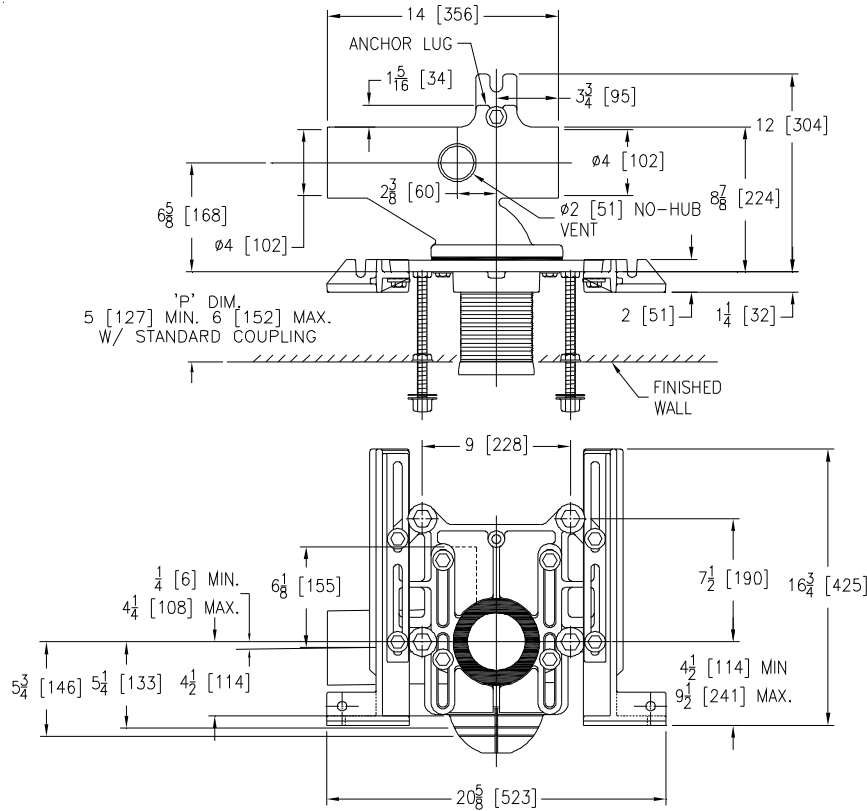
Z1203-N-PF

ADJUSTABLE HORIZONTAL SIPHON JET NO-HUB W/ PREFAB FEET

SPECIFICATION SHEET

TAG _____

Dimensional Data (inches and [mm]) are Subject to Manufacturing Tolerances and Change Without Notice



Product Number	Approx. Wt. Lbs. [kg]
Z1203-NL4-PF	67 [30]
Z1203-NR4-PF	

Note:

1. Min. 'P' Dim. Obtainable = 2 [51] with cut standard coupling
2. Feet bolted to floor using min. 1/2 [13] dia. bolts and back slots on carrier feet.
3. Back anchor foot required for secure installation.

ENGINEERING SPECIFICATION: ZURN Z1203-N(-)-PF

Adjustable, horizontal siphon jet water closet "Rigid System" with 4" [102mm] No-Hub connections. Complete with Dura-Coated cast iron right hand or left hand fitting with 2" [51mm] vent, adjustable gasketed faceplate, prefab foot supports, corrosion resistant adjustable ABS coupling with integral test cap, fixture bolts, trim, stud protectors, rear anchor tie down, and bonded "Neo-Seal" gasket.

OPTIONS (Check/specify appropriate options)

- _____ Z1203-NR4-PF 4 [102] No-Hub Right Hand Inlet with Flow to Left
- _____ Z1203-NL4-PF 4 [102] No-Hub Left Hand Inlet with Flow to Right

PREFIXES

- _____ Z D.C.C.I. System with Zurn "ZZ" Adjustable Coupling*
- _____ ZQ D.C.C.I. System with NPT Faceplate, Non-Adjustable Coupling

SUFFIXES

- _____ -A Auxiliary Support Assembly (for 'P' Dim. Greater Than 18 [457])
- _____ -B Blowout Type Fixture Support
- _____ -CC Corrosion Resistant Cast Iron Coupling (6 - 12 [151 - 305])
- _____ -CL Coupling Length Other Than Standard 6 [152] (Specify Length Required)
- _____ -F Floor Mounted, Back Outlet Fixture Support
- _____ -JC 2 [51] Auxiliary Inlet with Sanitary Sweep
- _____ -M Auxiliary Foot Support (for 'P' Dim. 10 - 18 [254 - 457])
- _____ -VP Vandal-Proof Trim
- _____ -X3 3 [76] Foot Extension Assembly (See Z1200-FT-EXT-3)
- _____ -X4 4 [102] Foot Extension Assembly (See Z1200-FT-EXT-4)
- _____ -45 Finishing Frame for Siphon Jet System (See Z1200-FINFRAME-SJ)
- _____ -50 Flush Valve Supply Support for Water Closets (Z1200-SPLY-SPRT-WC)

* Regularly furnished unless otherwise specified.