



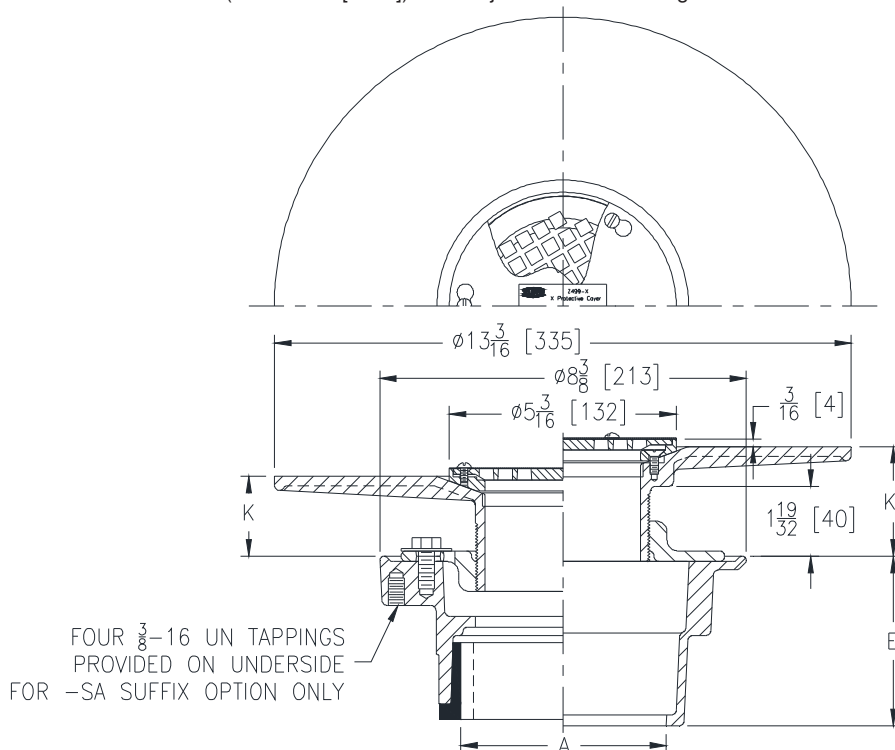
# Z415BL-PC

FLOOR AND SHOWER DRAIN  
W/ "TYPE BL" STRAINER AND PROTECTIVE COVER

SPECIFICATION SHEET

TAG \_\_\_\_\_

Dimensional Data (inches and [ mm ]) are Subject to Manufacturing Tolerances and Change Without Notice



Strainer Designation	Dimensions in In [mm]					Approx Wt. lbs [kg]	Strainer Open Area in <sup>2</sup> [cm <sup>2</sup> ] (After Removal of Protective Cover)
	A Pipe Size	K		K'			
		Mn	Max	Mn	Max		
-5BL	2,3,4,6 [51,76,102,152]	7/8 [22]	2-1/4 [57]	1-11/16 [43]	3 [76]	14 [6]	6-1/4 [40]

**ENGINEERING SPECIFICATION: ZURN ZN415BL-PC**

Floor and shower drain, Dura-Coated cast iron body with bottom outlet, combination invertible membrane clamp, adjustable collar with seepage slots and "TYPE BL" D.C.C.I. wide flanged head and polished nickel bronze, light-duty strainer and galvanized steel construction protective cover.

**OPTIONS** (Check/specify appropriate options)

**PIPE SIZE**

- 2,3,4 [51,76,102]
- 2 [51]
- 3 [76]
- 4 [102]
- 6 [152]
- 2,3,4 [51,76,102]
- 2,3,4 [51,76,102]

**OUTLET** (Specify size/type)

- \_\_\_\_\_ IC Inside Caulk
- \_\_\_\_\_ IP Threaded
- \_\_\_\_\_ IP Threaded
- \_\_\_\_\_ IP Threaded
- \_\_\_\_\_ IP Threaded
- \_\_\_\_\_ NH No-Hub
- \_\_\_\_\_ NL Neo-Loc

**E BODY HT. DIM.**

- 4-3/16 [106]
- 2-7/16 [62]
- 2-3/4 [70]
- 2-13/16 [71]
- 2-7/8 [73]
- 3-13/16 [97]
- 3-7/8 [98]

**PREFIXES**

- \_\_\_\_\_ ZB D.C.C.I. Body with Polished Bronze Top
- \_\_\_\_\_ ZN D.C.C.I. Body with Polished Nickel Bronze Top\*

**SUFFIXES**

- \_\_\_\_\_ -AR Acid Resistant Epoxy Coated Cast Iron
- \_\_\_\_\_ -CP Chrome-Plated Bronze Top
- \_\_\_\_\_ -G Galvanized Cast Iron
- \_\_\_\_\_ -P Trap Primer Connection (Specify 1/2 [13] or 3/4 [19])
- \_\_\_\_\_ -SA Stabilizer Assembly (See Z1035)
- \_\_\_\_\_ -TC Neo-Loc Test Cap Gasket (2,3,4 [51,76,102] NL Bottom Outlet Only)
- \_\_\_\_\_ -U 1 - 3 [25 - 76] High Extension Adapter
- \_\_\_\_\_ -VP Vandal Proof Secured Top
- \_\_\_\_\_ -Y Sediment Bucket
- \_\_\_\_\_ -90 90° Threaded Side Outlet Body

\* Regularly furnished unless otherwise specified.