



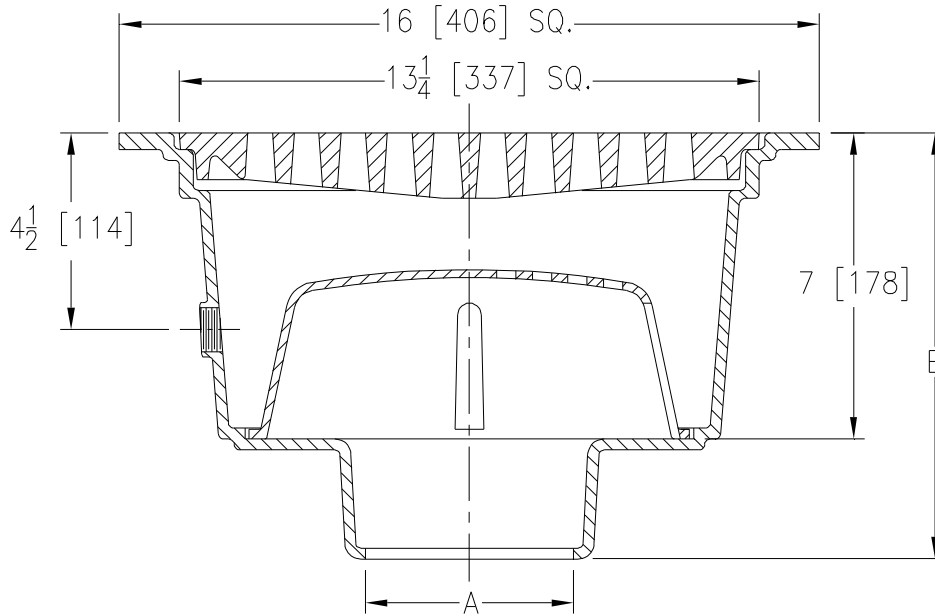
Z1920-P

16 X 16 [406 X 406] A.R.C. SANI-FLOR RECEPTOR
7 [178] SUMP DEPTH W/ TRAP PRIMER CONNECTION

SPECIFICATION SHEET

TAG _____

Dimensional Data (inches and [mm]) are Subject to Manufacturing Tolerances and Change Without Notice



A- Pipe Size In. [mm]	Approx Wt. Lbs. [kg]	Grate Open Area Sq. In. [cm ²]
2,3,4,6,8 [51,76,102,152,203]	81 [37]	54 [348]

ENGINEERING SPECIFICATION: ZURN Z1920-P

Sani-Flor Receptor 16" x 16" x 7" [406mm x 406mm x 178mm] deep cast iron body with 1/2 NPT trap primer connection and square slotted heavy-duty grate, with white acid resisting porcelain enamel interior and top, complete with aluminum anti-splash interior bottom dome strainer.

OPTIONS (Check/specify appropriate options)

PIPE SIZE

2, 3, 4, 6 [51, 76, 102, 152]
8 [203]
2, 3, 4 [51, 76, 102]

(Specify size/type) **OUTLET**

_____ IC Inside Caulk
_____ IC Inside Caulk
_____ NL Neo-Loc

'E' BODY HT. DIMENSION

Z	ZN
9-3/4 [248]	10 [254]
10-1/4 [260]	10-1/2 [267]
9 [229]	9-3/16 [233]

PREFIXES

_____ Z Cast Iron Body with White A.R.C. Interior*
_____ ZN Cast Iron Body with White A.R.C. Interior, 16-3/4 [425] Square N.B. Frame and Full Grate

SUFFIXES

_____ -K Anchor Flange with Seepage Holes	_____ -6 Grate w/ 6 [152] Dia. x 6 [152] High Funnel
_____ -KC Anchor Flange with Seepage Holes and Clamp Collar	_____ -8 Grate w/ 8-7/8 x 3-5/8 x 3-3/4 [225 x 92 x 95] High Oval Funnel
_____ -LD (Less) Internal Bottom Dome Strainer	_____ -11 Vandal-Proof Secured Grate
_____ -TC Neo-Loc Test Cap Gasket (2,3,4 [51,76,102])	_____ -15 Solid Loose Set Cover
_____ -1 (Less) Grate	_____ -23 Aluminum Bucket
_____ -2 1/2 Grate	_____ -25 White A.R.C. Bucket
_____ -3 3/4 Grate	_____ -31 Stainless Steel Mesh Liner for Bucket
_____ -4 Full Grate with 2 [51] Square Opening	_____ -33 White A.R.C. Anti-Splash Bottom Dome Strainer

* Regularly furnished unless otherwise specified.

Zurn Industries, LLC | Specification Drainage Operation
1801 Pittsburgh Avenue, Erie, PA U.S.A. 16502 · Ph. 855-663-9876, Fax 814-454-7929
In Canada | Zurn Industries Limited
3544 Nashua Drive, Mississauga, Ontario L4V 1L2 · Ph. 905-405-8272, Fax 905-405-1292
www.zurn.com

Rev. B
Date: 04/24/2018
C.N. No. 139941
Prod. | Dwg. No. Z1920-P