



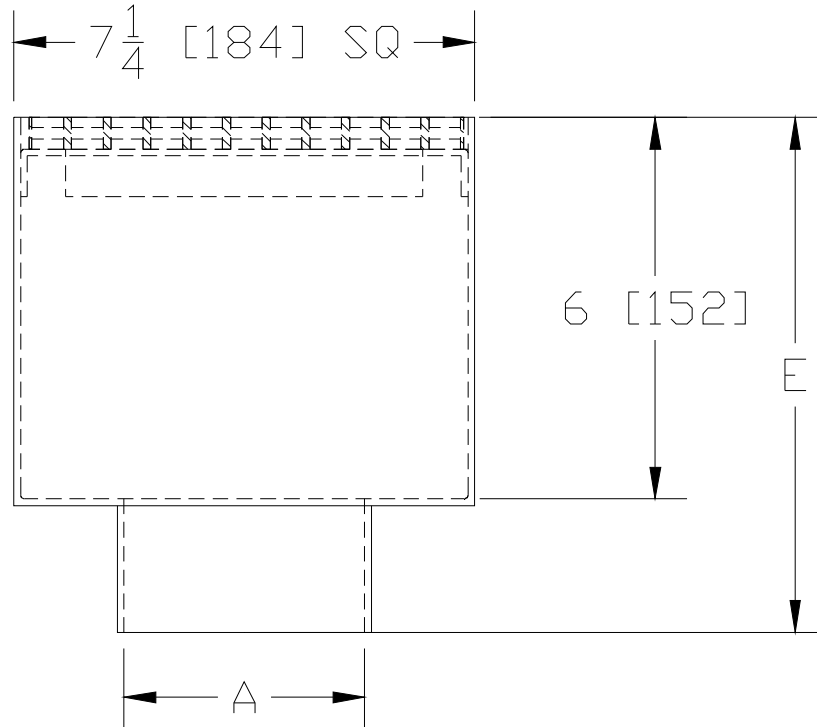
ZS1910-77

SPECIFICATION SHEET

8 X 8 [203 X 203] FABRICATED STAINLESS STEEL SANI-FLORECEPTOR 6 [152] SUMP DEPTH

TAG _____

Dimensional Data (inches and [mm]) are Subject to Manufacturing Tolerances and Change Without Notice



A- Pipe Size In.	Approx Wt. Lbs. [kg]	Grate Open Area Sq. In. [cm ²]
2-3-4 [50-75-100]	25 [11]	19 [123]

ENGINEERING SPECIFICATION: ZURN ZS1910-77 Sani-Flor Receptor 8 x 8 x 6 [203 x 203 x 152] deep, 12 gage, 304 fabricated stainless steel body and stainless steel square bar grate.

OPTIONS (Check/specify appropriate options)

PIPE SIZE

2, 3, 4 [50, 75, 100]

(Specify size/type) **OUTLET**

____ NH No-Hub

'E' BODY HT. DIMENSION

ZS
8 1/8 [206]

PREFIXES

____ ZS- 304 Fabricated Stainless Steel*

SUFFIXES

- ____ -K Seepage Flange With Seepage Holes
- ____ -KC Seepage Flange With Seepage Holes With Clamp Collar
- ____ -P 1/2 [13] Threaded Trap Primer Connection (See Z-1023)
- ____ -1 (Less) Grate
- ____ -2 1/2 Grate
- ____ -3 3/4 Grate
- ____ -4 Full Grate With 2 [51] Square Opening
- ____ -15 Solid Loose Set Cover
- ____ -16 1/2 Solid Loose Set Cover
- ____ -17 3/4 Solid Loose Set Cover
- ____ -18 Solid Loose Set Cover With 2 [51] Square Center Opening

REV. B DATE: 8/17/11 C.N. NO. 121959

DWG. NO. P-14256 PRODUCT NO. ZS1910-77

*REGULARLY FURNISHED UNLESS OTHERWISE SPECIFIED