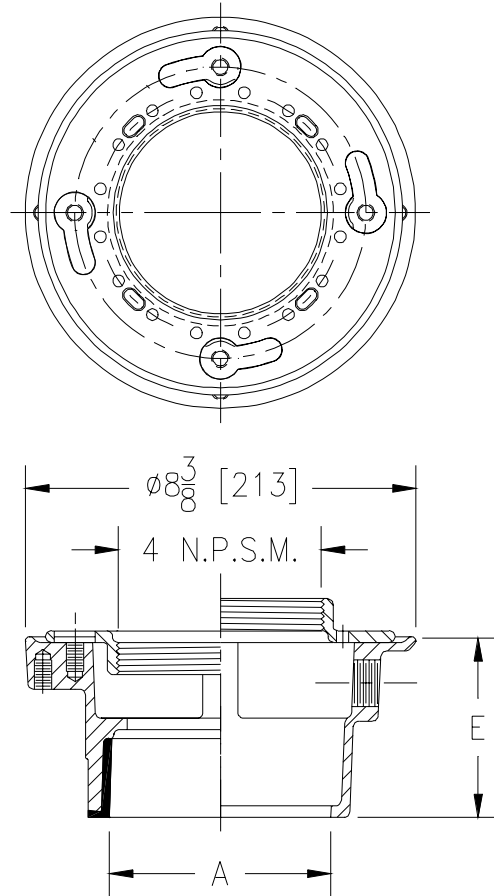




Z-415-123

BODY ASSEMBLY

Dimensional Data (inches and [mm]) are Subject to Manufacturing Tolerances and Change Without Notice



ENGINEERING SPECIFICATION: ZURN Z-415-123 Floor and shower drain, Dura-Coated cast iron body with bottom outlet, combination invertible membrane clamp with sixteen 1/4 [6] dia. weep holes.

OPTIONS (Check/specify appropriate options)

PIPE SIZE 'A'	(Specify size/type) OUTLET	'E' BODY HT. DIM.
2 thru 4 [50 thru 100]	_____ IC Inside Caulk	3 7/8 [98]
2 [50]	_____ IP Threaded	2 5/8 [67]
3 [75]	_____ IP Threaded	2 5/8 [67]
4 [100]	_____ IP Threaded	2 5/8 [67]
2 thru 4 [50 thru 100]	_____ NH No-Hub	3 7/8 [98]
2 thru 4 [50 thru 100]	_____ NL Neo-Loc	4 5/8 [117]

SUFFIXES

- _____ -AR Acid Resisting Epoxy Coated Cast Iron
- _____ -G Galvanized Cast Iron
- _____ -P Trap Primer Connection (Specify 1/2 [13] or 3/4 [19])
- _____ -90 90° Threaded Side Outlet Body
(2 [50], 3 [75] Only)

REV.	DATE: 6/18/96	C.N. NO. 75221
DWG. NO. P-14348 PRODUCT NO. Z-415-123		

*REGULARLY FURNISHED UNLESS OTHERWISE SPECIFIED