



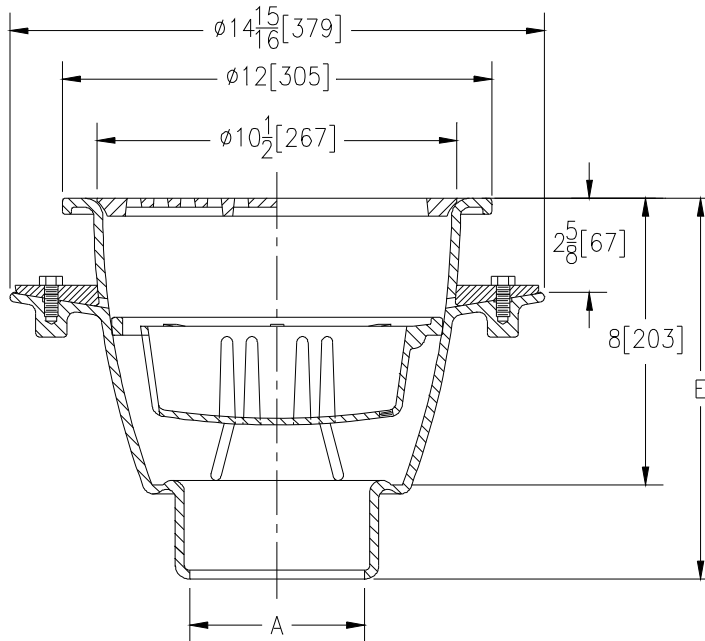
Z1950-KC-2-23

12 [305] DIAMETER A.R.E. SANI-FLOR RECEPTOR
 8 [203] SUMP DEPTH W/ ANCHOR FLANGE, CLAMPING
 COLLAR, 1/2 GRATE, AND ALUMINUM BUCKET

SPECIFICATION SHEET

TAG _____

Dimensional Data (inches and [mm]) are Subject to Manufacturing Tolerances and Change Without Notice



A- Pipe Size In. [mm]	Approx Wt. Lbs.[kg]	Grate Open Area Sq. In. [cm ²]
2, 3, 4 [51, 76, 102]	35 [15]	41 [265]

ENGINEERING SPECIFICATION: ZURN Z1950-KC-2-23
 Sani-Flor receptor 12" [305mm] diameter x 8" [203 mm] deep cast iron body and round slotted light duty half grate, with white acid resisting porcelain enamel interior and top, black ground enamel exterior coating, seepage flange with seepage holes, clamp collar and aluminum bucket.

OPTIONS (Check/specify appropriate options)

PIPE SIZE

(Specify size/type) **OUTLET**

'E' BODY HT. DIMENSION

		Z	ZN
3, 4 [76, 102]	___ IC Inside Caulk	10-5/8 [270]	11 [279]
2, 3, 4 [51, 76, 102]	___ NH No-Hub	10-5/8 [270]	11 [279]
2, 3, 4 [51, 76, 102]	___ NL Neo-Loc	10 [254]	10-3/8 [264]

PREFIXES

- ___ Z Cast Iron Body with White A.R.E. Interior*
- ___ ZN Cast Iron Body with White A.R.E. Interior, Nickel Bronze Frame and Half Grate with 1/4 [6] Square Openings

SUFFIXES

- ___ -P 1/2 [13] Threaded Trap Primer Connection (See Z1023)
- ___ -TC Neo-Loc Test Cap Gasket (2, 3, 4 [51, 76, 102] NL Bottom Outlet Only)
- ___ -31 Stainless Steel Mesh Liner for Bucket

* Regularly furnished unless otherwise specified.