



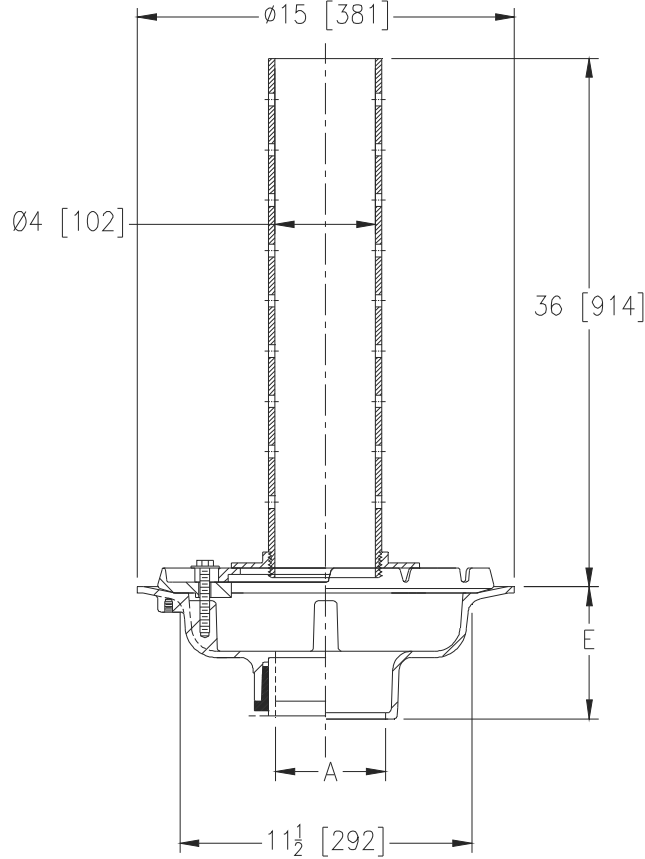
Z100-366

Ø15 [381] MAIN ROOF DRAIN W/ PERFORATED STANDPIPE

SPECIFICATION SHEET

TAG _____

Dimensional Data (inches and [mm]) are Subject to Manufacturing Tolerances and Change Without Notice



A Pipe Size in [mm]	Approx. Wt. lbs [kg]
2,3,4 [51,76,102]	36 [16]
6 [152]	37 [17]
8 [203]	38 [18]

ENGINEERING SPECIFICATION: ZURN Z100-366

15" [381mm] Diameter roof drain. Dura-Coated cast iron body with combination membrane flashing clamp/gravel guard, and 4" [102mm] standpipe.

OPTIONS (Check/specify appropriate options)

PIPE SIZE

- 2,3,4,6,8 [51,72,102,152,203]
- 2,3,4,6,8 [51,72,102,152,203]
- 2,3,4,6,8 [51,72,102,152,203]
- 2,3,4 [51,76,102]
- 6 [152]

(Specify size/type) **OUTLET**

- _____ IC Inside Caulk
- _____ IP Threaded
- _____ NH No-Hub
- _____ NL Neo-Loc
- _____ NL Neo-Loc

E BODY HT. DIM.

- 5-1/4 [133]
- 3-3/4 [95]
- 5-1/4 [133]
- 4-9/16 [116]
- 5-7/16 [112]

PREFIXES

- _____ Z D.C.C.I. Body

SUFFIXES

- | | |
|---------------------------------------|--|
| _____ -AC Angular Underdeck Clamp | _____ -E Static Extension 1 [25] thru 4 [102] (Specify Ht.) |
| _____ -AR Acid Resistant Epoxy Coated | _____ -EB Top-Set® Adjustable Extension Assembly |
| _____ -C Underdeck Clamp | _____ -G Galvanized Cast Iron |
| _____ -DE Deck Extension | _____ -R Roof Sump Receiver |
| _____ -DR Top-Set® Drain Riser | _____ -SC Secondary Clamp Collar |
| _____ -DX Dex-o-tex Flange | _____ -VP Vandal-Proof Secured Top |
| _____ -DP Top-Set® Deck Plate | _____ -90 90° Threaded Side Outlet Body
(2,3,4,5,6 [51,72,102,127,152]) |

* Regularly furnished unless otherwise specified.