



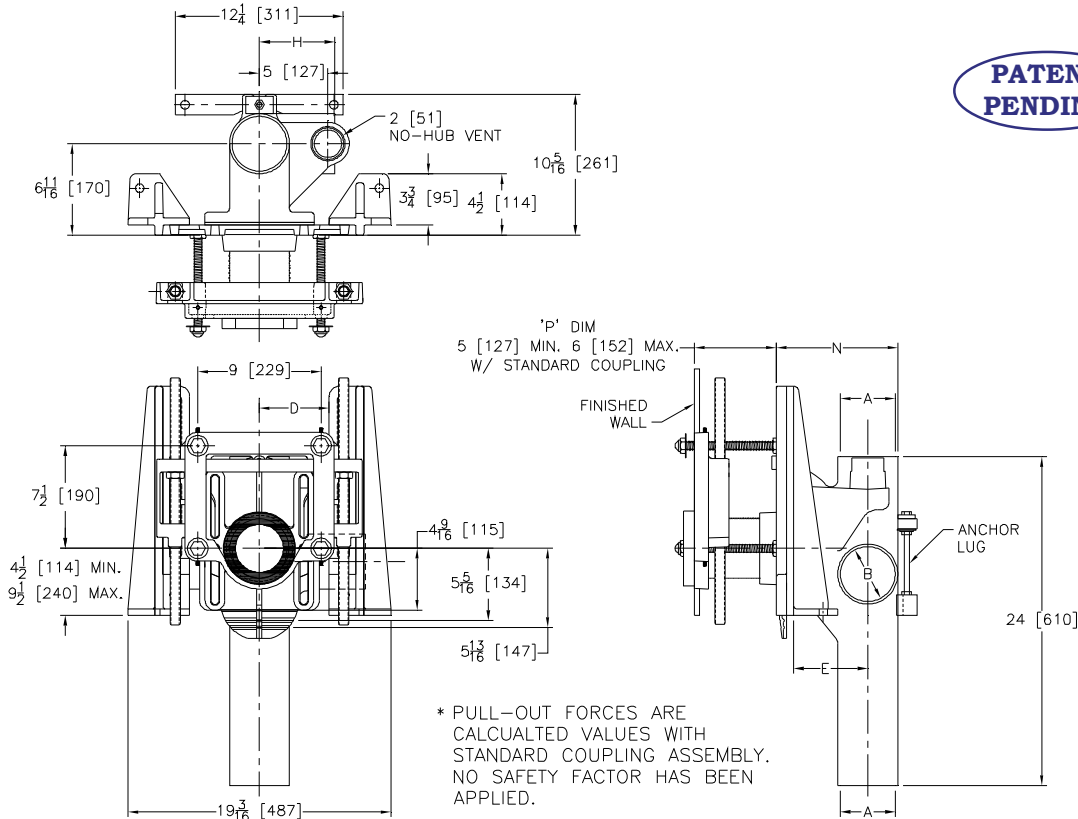
Z1204-1N-XB

BARIATRIC CARRIER - 1000 LB. [454 KG.] ADJUSTABLE VERTICAL SIPHON JET NO-HUB

SPECIFICATION SHEET

TAG _____

Dimensional Data (inches and [mm]) are Subject to Manufacturing Tolerances and Change Without Notice



**PATENT
PENDING**

* PULL-OUT FORCES ARE CALCULATED VALUES WITH STANDARD COUPLING ASSEMBLY. NO SAFETY FACTOR HAS BEEN APPLIED.

Product No.	Dimensions In Inches						Approx. Wt. Lbs. [kg]
	A	B	D	E	H	N	
Z1204-1NL4/1NR4	4 [102]	4 [102]	5 1/8 [130]	5 7/16 [138]	5 1/2 [140]	8 7/8 [225]	112 [42]
Z1204-1NL43/1NR43	4 [102]	3 [76]	5 1/8 [130]	5 7/16 [138]	5 1/2 [140]	8 7/8 [225]	112 [42]

ENGINEERING SPECIFICATION: ZURN Z1204-1N4-XB

Adjustable, vertical siphon jet water closet "Rigid System" with 4 [102] No-Hub connections and () side inlets rated for 1000-Lb. [454 kg.] maximum static load. Dura-Coated cast iron main fitting, with 2 [51] vent, adjustable gasketed faceplate, floor mounted foot supports, stud support/ finishing frame, corrosion resistant adjustable cast iron coupling, fixture bolts, trim, and stud protectors. Complete with rear anchor tie down and bonded "Neo-Seal" gasket. Carrier complies with all applicable requirements of ASME A112.6.1M up to a 1000-Lb. [454-kg.] load.

OPTIONS (check/ specify appropriate options)

- _____ Z1204-1N(-)-XB No-Hub Stack, Single Inlet, () Right Hand Side Inlet, 2 [51] Right Hand Vent

PREFIXES

- _____ Z D.C.C.I. System with Zurn "ZZ" Adjustable Coupling*
- _____ ZQ D.C.C.I. System with NPT Face Plate, Non-Adjustable Coupling

SUFFIXES

- _____ -BC Back Cleanout
- _____ -G Galvanized Cast Iron
- _____ -JJ Two 2 [51] Auxiliary Inlets
- _____ -JL 2 [51] Left-Hand Auxiliary Inlet
- _____ -JR 2 [51] Right-Hand Auxiliary Inlet
- _____ -VL Left Hand Vent Connection
- _____ -VP Vandal-Proof Trim
- _____ -29 Mechanical Test Cap Assembly
- _____ -50 Flush Valve Supply Support for W.C.
- _____ -61 "ZZ" Coupling Wrench

Notes:

1. Feet and rear anchor bolted to floor using anchors capable of achieving the specified pull-out force.
2. Min. 'P' Dim. Obtainable=2 [51]
3. Back anchor foot mandatory for secure installation.
4. 2 [51] No-Hub vent connection regularly furnished on right hand side. Left hand available when specified (Suffix- VL)
5. Auxiliary inlet available right (-JR) or left (-JL) or both sides (-JJ) when specified.
6. Floor anchors each must be able to withstand a pull-out force of 745 lbs. [338 kg.]

*REGULARLY FURNISHED UNLESS OTHERWISE SPECIFIED

REV.	DATE: 10/07/08	C.N. NO. 99181
DWG. NO. 83941	PRODUCT NO. Z1204-1N-XB	