

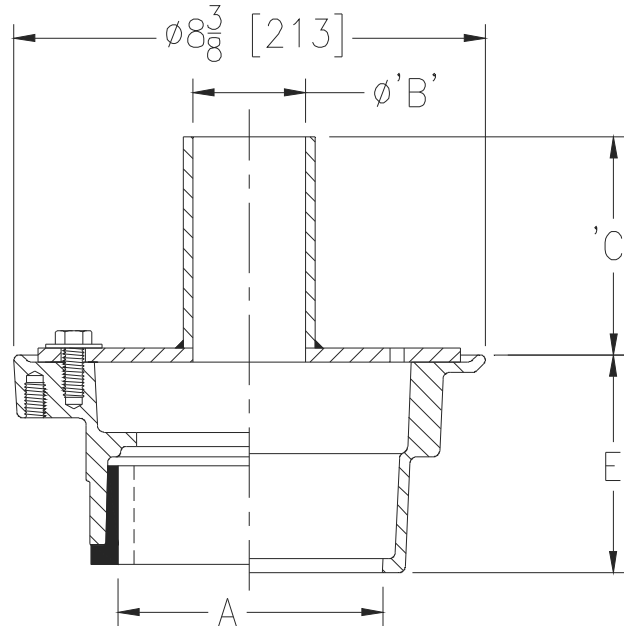


Z415P-77
BODY ASSEMBLY W/ STANDPIPE

SPECIFICATION SHEET

TAG _____

Dimensional Data (inches and [mm]) are Subject to Manufacturing Tolerances and Change Without Notice



ENGINEERING SPECIFICATION: ZURN Z415P-77
 Floor drain, Dura-Coated cast iron body with bottom outlet and steel membrane clamp & regularly furnished with 2" [51mm] no-hub standpipe, 3-7/8" [98mm] tall.

Dimensions in Inches [mm]			Approx. Wt. Lbs. [kg]
'A' Pipe Size	'B'	'C'	
2,3,4 [51,76,102]	1-1/2 [38]	1-7/8 [48]	11 [5]
	2 [51]	1-7/8 [48], 3-7/8 [98]	
	3 [76]	1-7/8 [48]	
	4 [102]	1-7/8 [48]	

OPTIONS (Check/specify appropriate options)

PIPE SIZE

- 2,3,4 [51,76,102]
- 2 [51]
- 3 [76]
- 4 [102]
- 2,3,4 [51,76,102]
- 2,3,4 [51,76,102]

(Specify size/type) **OUTLET**

- _____ IC Inside Caulk
- _____ IP Threaded
- _____ IP Threaded
- _____ IP Threaded
- _____ NH No-Hub
- _____ NL Neo-Loc

'E' BODY HT. DIM.

- 4-3/16 [106]
- 2-7/16 [62]
- 2-3/4 [70]
- 2-13/16 [71]
- 3-13/16 [97]
- 3-7/8 [98]

PREFIXES

- _____ Z D.C.C.I. Body w/ Steel Standpipe*

SUFFIXES

- _____ -P Trap Primer Connection (Specify 1/2 [13] or 3/4 [19])
- _____ -SR Stabilizer Ring
- _____ -1-1/2S 1-1/2 [38] No-Hub Standpipe, 1-7/8 [48] high
- _____ -2S 2 [51] No-Hub Standpipe, 1-7/8 [48] high
- _____ -3S 3 [76] No-Hub Standpipe, 1-7/8 [48] high
- _____ -4S 4 [102] No-Hub Standpipe, 1-7/8 [48] high
- _____ -18 Leveling Ring (See Z400-18)
- _____ -90 90° Threaded Side Outlet Body Assembly (2 [51], 3 [76] Only)

* Regularly furnished unless otherwise specified.