



# Z415B-116

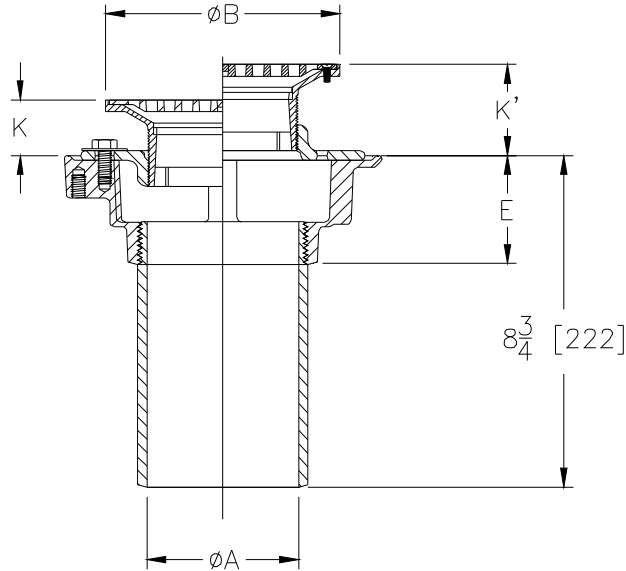
## BODY ASSEMBLY

### W/ "TYPE B" STRAINER WITH Z1040-7

SPECIFICATION SHEET

TAG \_\_\_\_\_

Dimensional Data (inches and [ mm ]) are Subject to Manufacturing Tolerances and Change Without Notice



Dimensions In Inches						Approx. Wt. Lbs. [kg]	Strainer Open Area Sq. In. [cm <sup>2</sup> ]
A Pipe Size	B Strainer Dia.	K		K'			
		Min.	Max.	Min.	Max.		
4 [102]	6 [152]	1 [25]	1-25/32 [45]	1-13/32 [36]	2-17/32 [64]	13 [6]	9 [58]
4 [102]	7 [178]	1 [25]	2-1/8 [54]	1-23/32 [44]	2-7/8 [73]	14 [6]	12 [77]
4 [102]	8 [203]	1-5/32 [30]	2-1/8 [54]	1-3/4 [44]	2-7/8 [73]	16 [7]	18 [116]

**ENGINEERING SPECIFICATION: ZURNZN415B-116**

Floor and shower drain, Dura-Coated cast iron body with Z1040-7, combination invertible membrane clamp and adjustable collar with seepage slots and "TYPE B" polished nickel bronze, light-duty strainer.

**OPTIONS** (Check/specify appropriate options)

**PIPE SIZE**

4 [102]

(Specify size/type) **OUTLET**

\_\_\_\_ IP    Threaded

**'E' BODY HT. DIM.**

2-7/8 [73]

**PREFIXES**

- \_\_\_ ZB D.C.C.I. Body Assembly w/ Polished Bronze Top
- \_\_\_ ZN D.C.C.I. Body Assembly w/ Polished Nickel Bronze Top\*

**SUFFIXES**

- \_\_\_ -AA All Acid Resisting Epoxy
- \_\_\_ -AR Acid Resisting Epoxy Coated Cast Iron
- \_\_\_ -CP Chrome-Plated Bronze Top
- \_\_\_ -DC Debris Cover (Field Assembled)
- \_\_\_ -DP Decorative Polished Top
- \_\_\_ -EF 3/8 [16] Extension Frame
- \_\_\_ -G Galvanized Cast Iron
- \_\_\_ -HD Heavy-Duty Slotted Grate (ZN 5 [127] & 6 [152] Sizes Only)
- \_\_\_ -OF Oval Funnel (Z329-7) (6 - 10 [152 - 254] Strainers Only)
- \_\_\_ -P Trap Primer Connection (Specify 1/2 [13] or 3/4 [19])
- \_\_\_ -SA Stabilizer Assembly (See Z1035)
- \_\_\_ -SQ Stabilizer Q-Deck (See Z1035-Q)
- \_\_\_ -SR Stabilizer Ring
- \_\_\_ -U 1 - 3 [25 - 76] High Extension Adapter
- \_\_\_ -V Backwater Valve
- \_\_\_ -VP Vandal-Proof Secured Top
- \_\_\_ -W Winter Closure Plug
- \_\_\_ -Y Sediment Bucket
- \_\_\_ -4 4 [102] Diameter Funnel (Z328)
- \_\_\_ -18 Leveling Ring (See Z400-18)

\*REGULARLY FURNISHED UNLESS OTHERWISE SPECIFIED

<b>REV.</b>	<b>DATE: 04/26/11</b>	<b>C.N. NO. 121182</b>
<b>DWG. NO. 305611</b>	<b>PRODUCT NO. Z415B-116</b>	

ZURN INDUSTRIES, LLC ♦ SPECIFICATION DRAINAGE OPERATION ♦ 1801 Pittsburgh Ave. ♦ Erie, PA 16514

Phone: 814/455-0921 ♦ Fax: 814/454-7929 ♦ World Wide Web: www.zurn.com

In Canada: ZURN INDUSTRIES LIMITED ♦ 3544 Nashua Drive ♦ Mississauga, Ontario L4V1L2 ♦ Phone: 905/405-8272 Fax: 905/405-1292